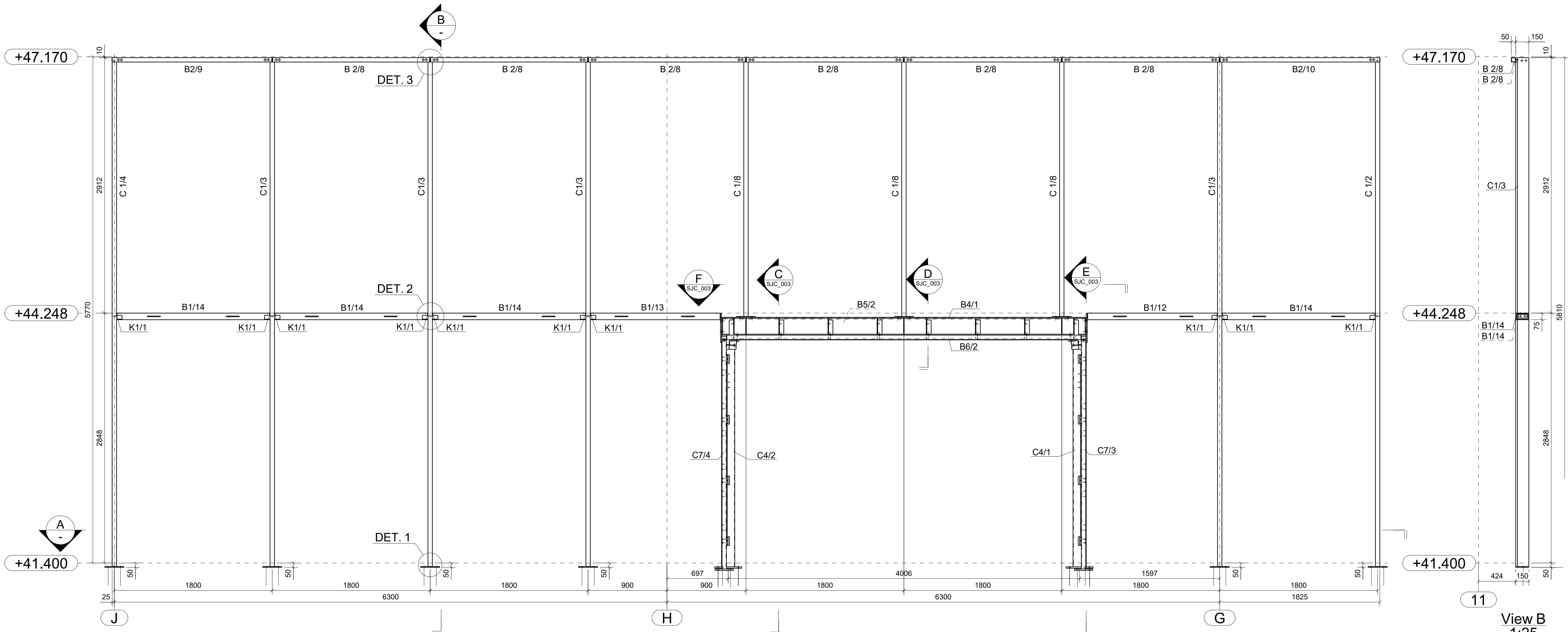
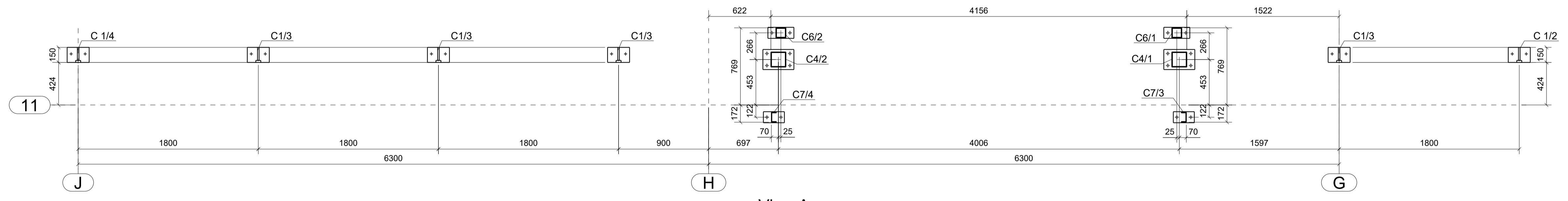


3D view

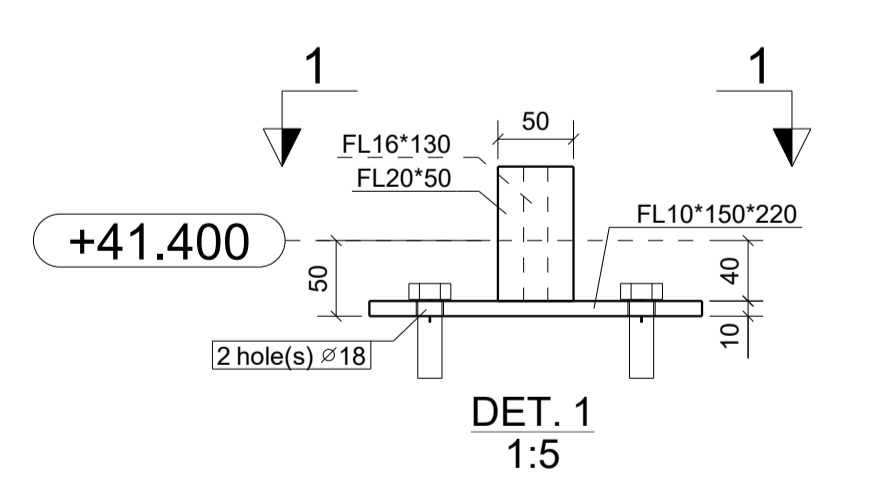


Facade at axes J-G
1:25

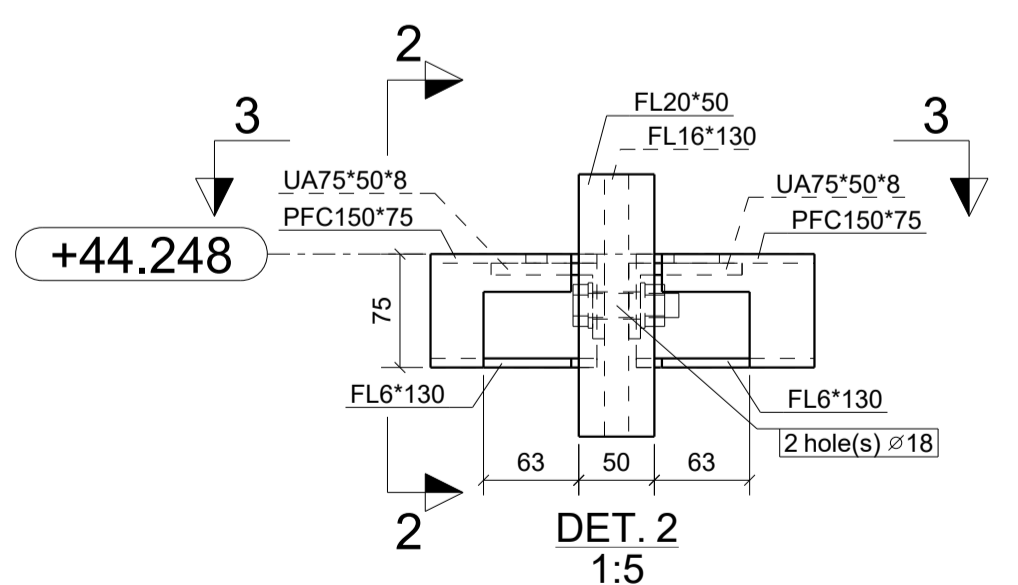
View B
1:25



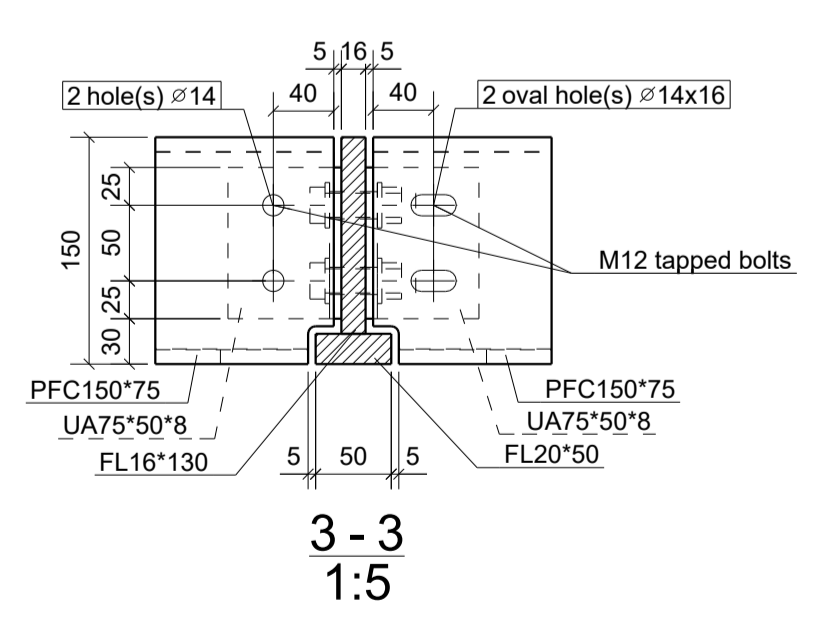
View A
1:25



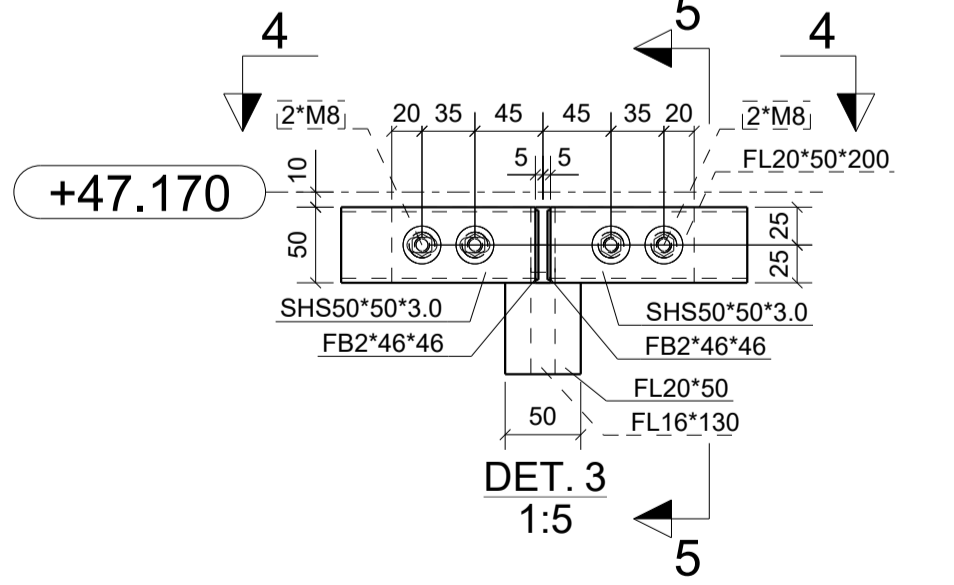
DET. 1
1:5



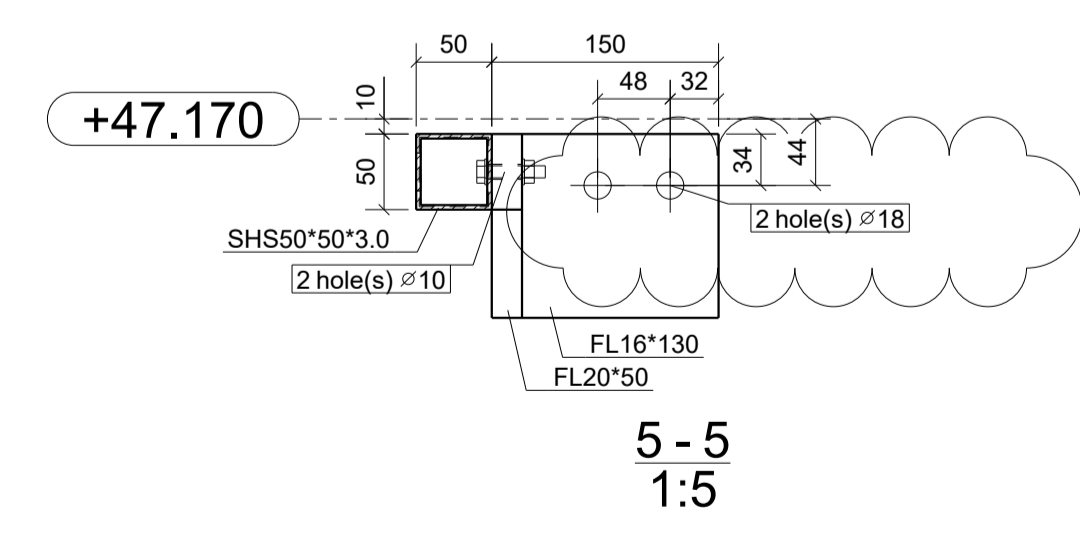
DET. 2
1:5



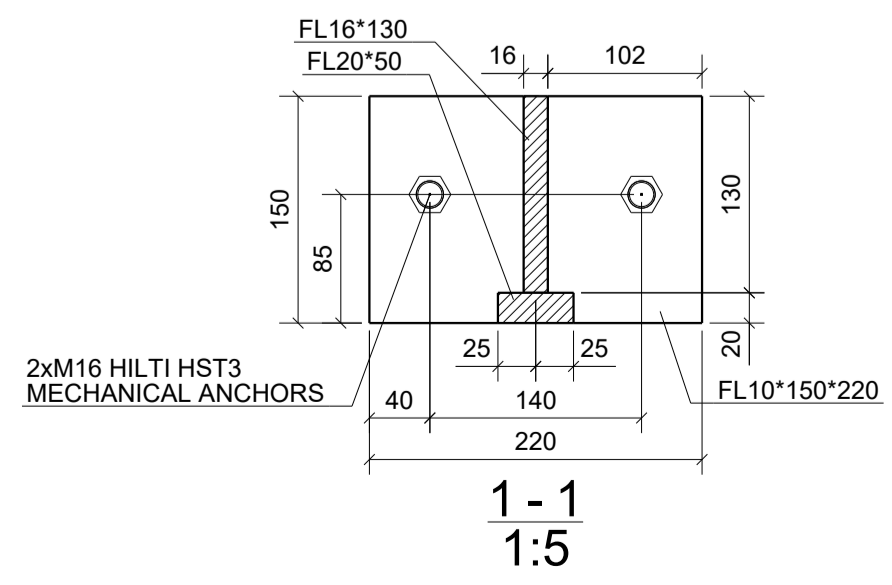
3-3
1:5



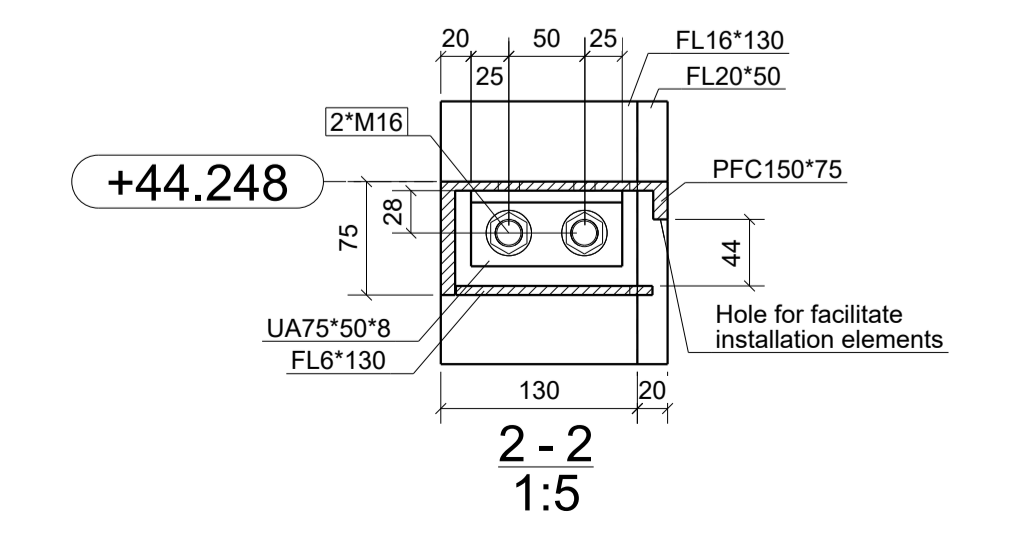
DET. 3
1:5



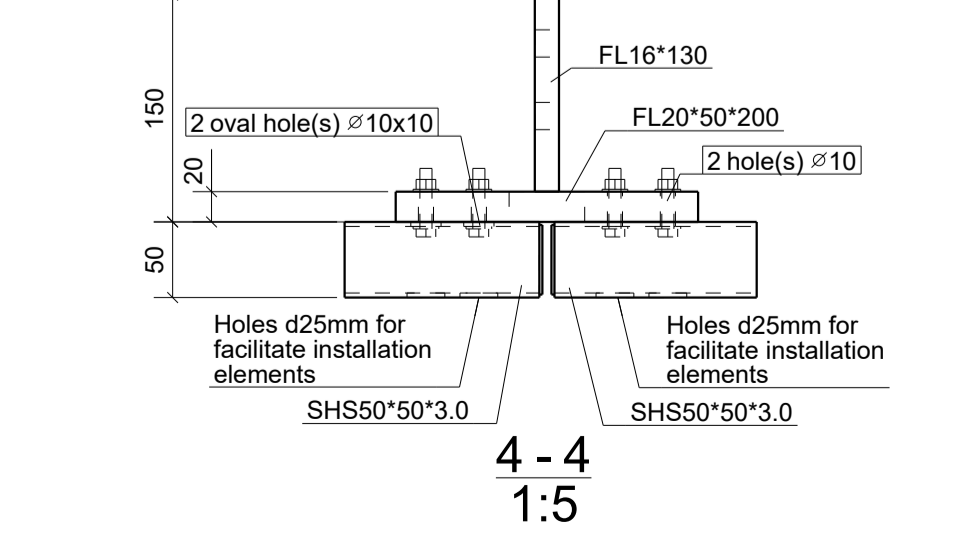
5-5
1:5



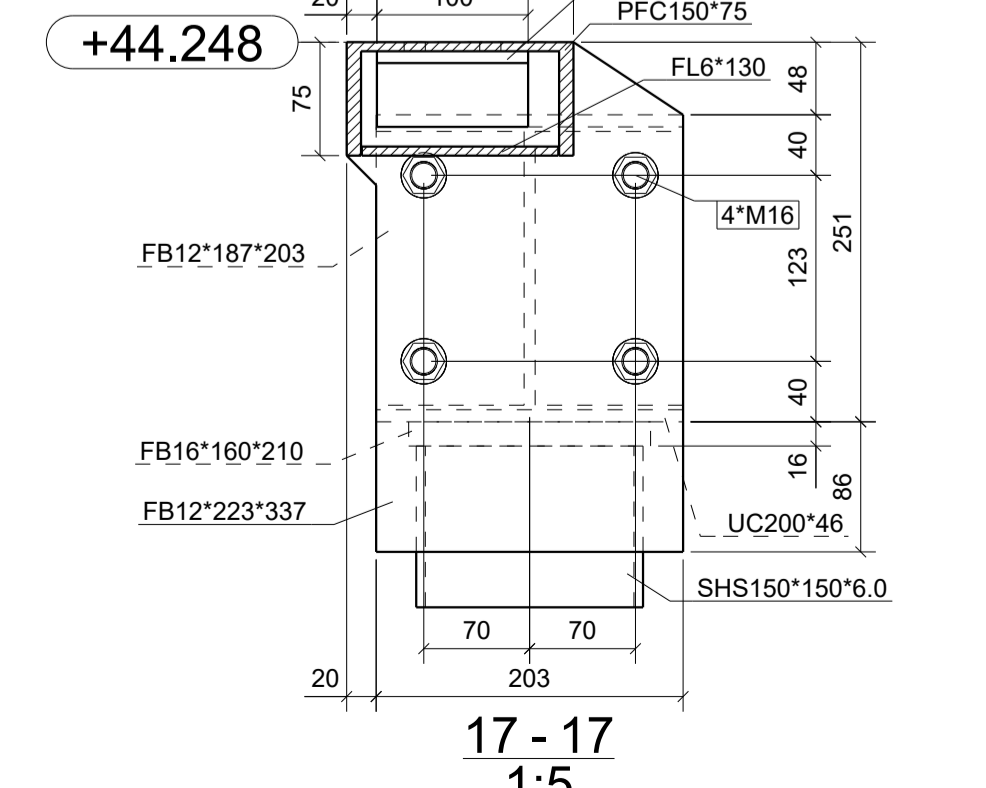
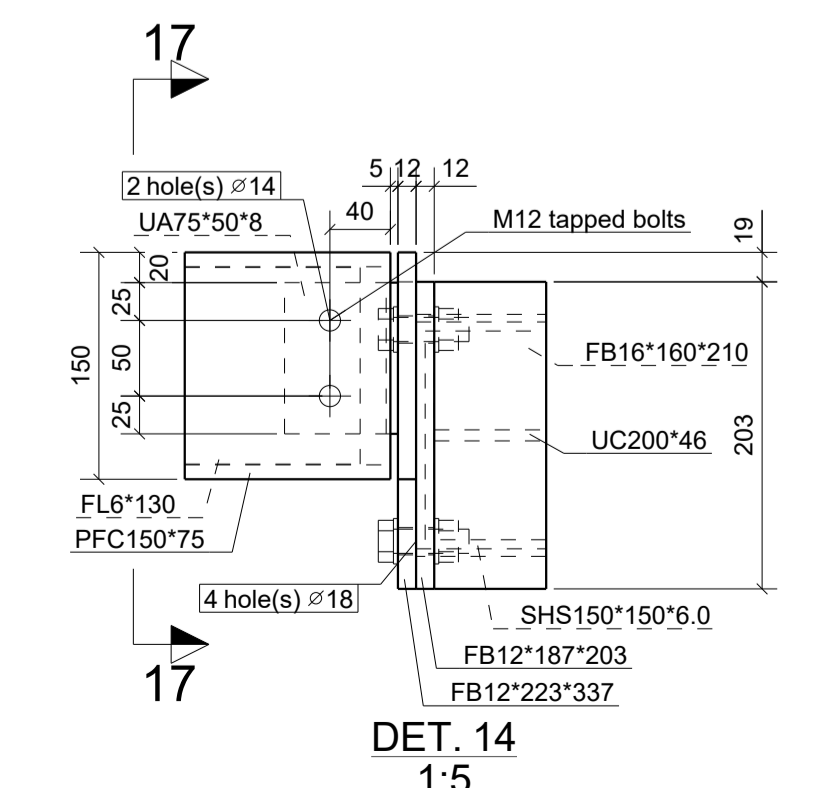
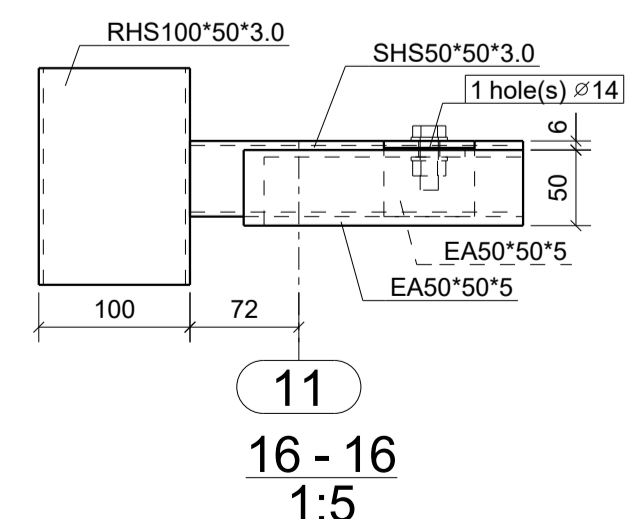
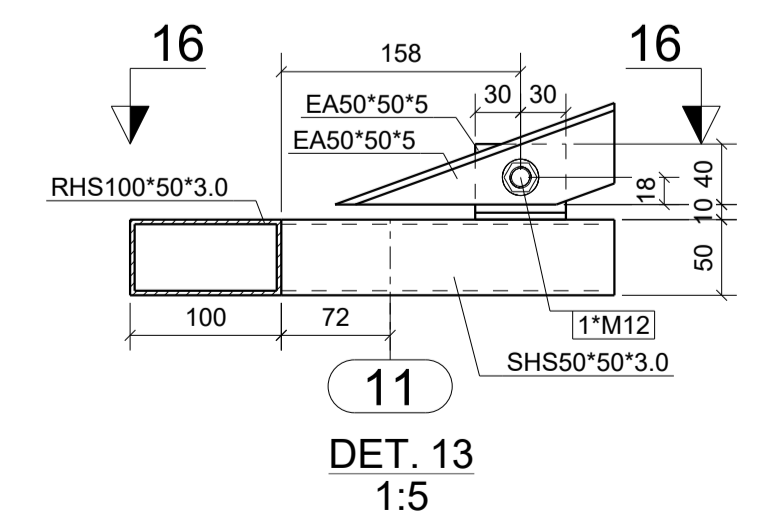
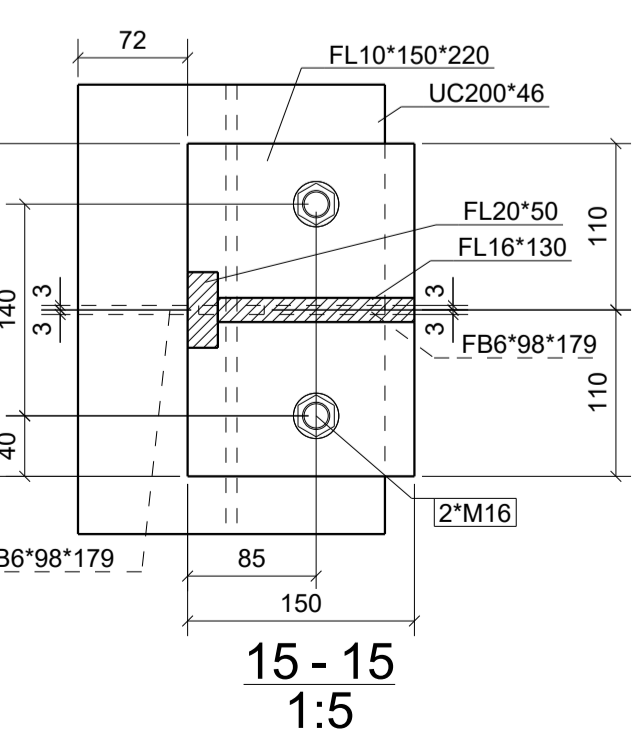
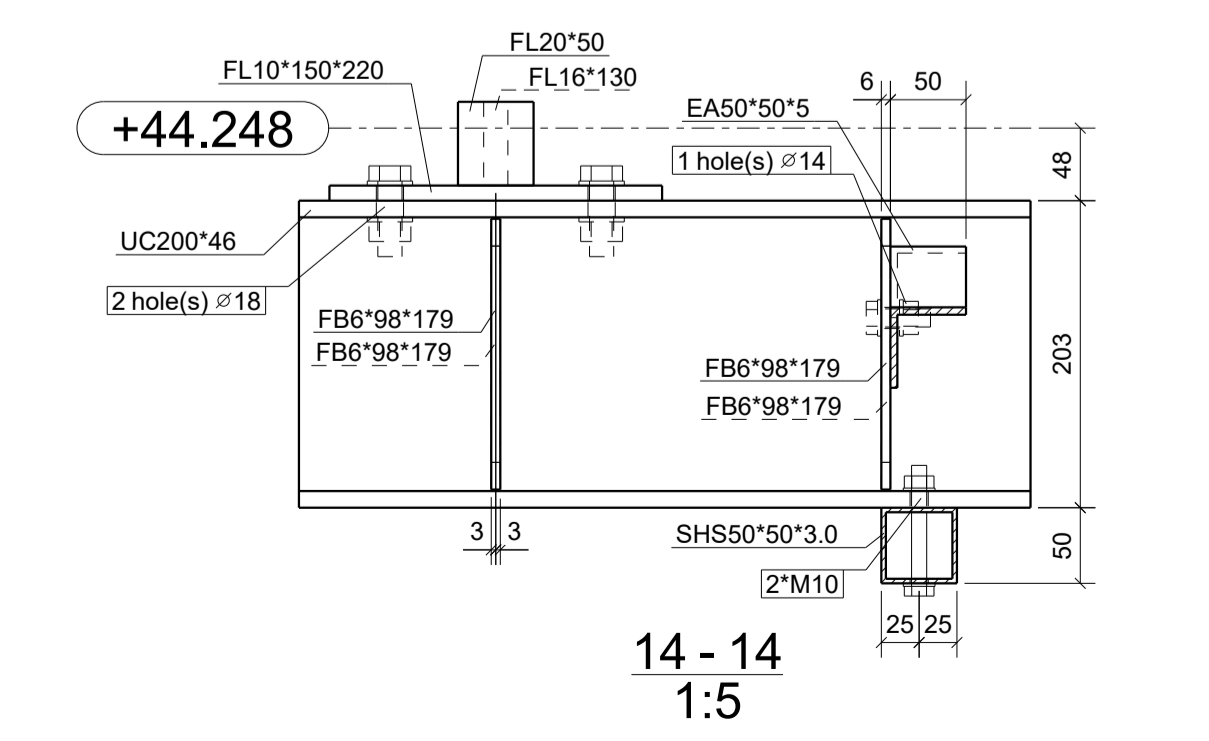
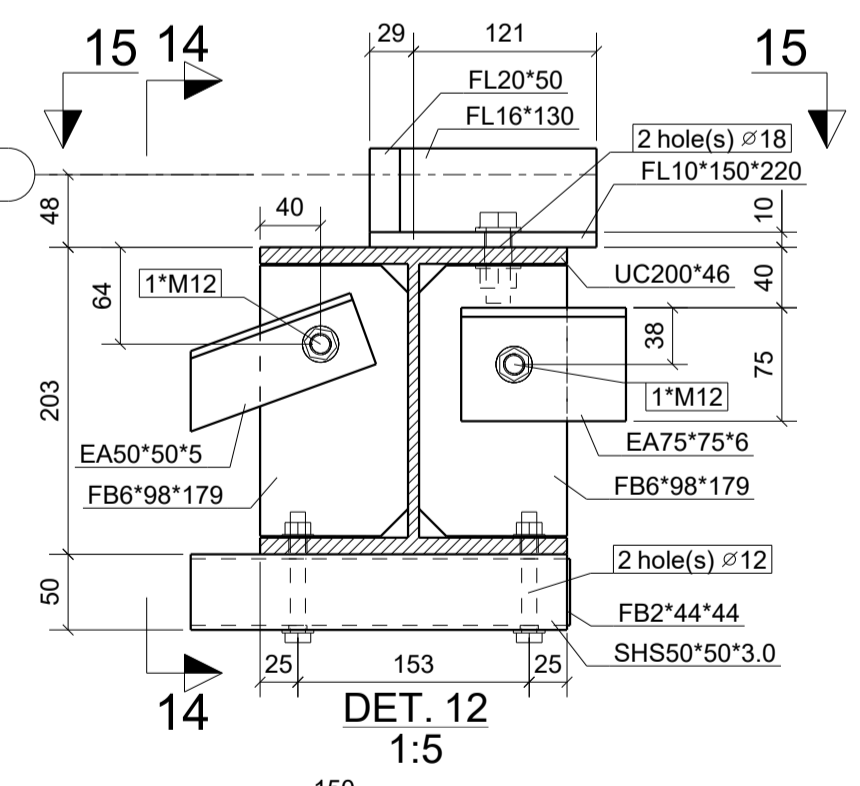
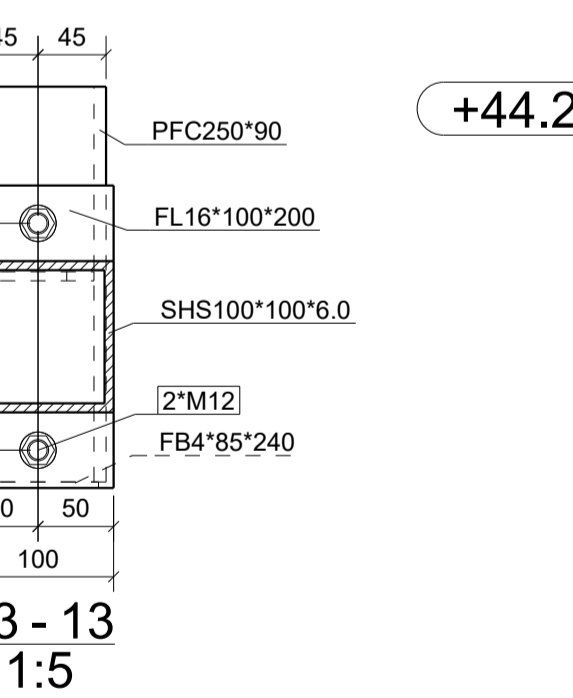
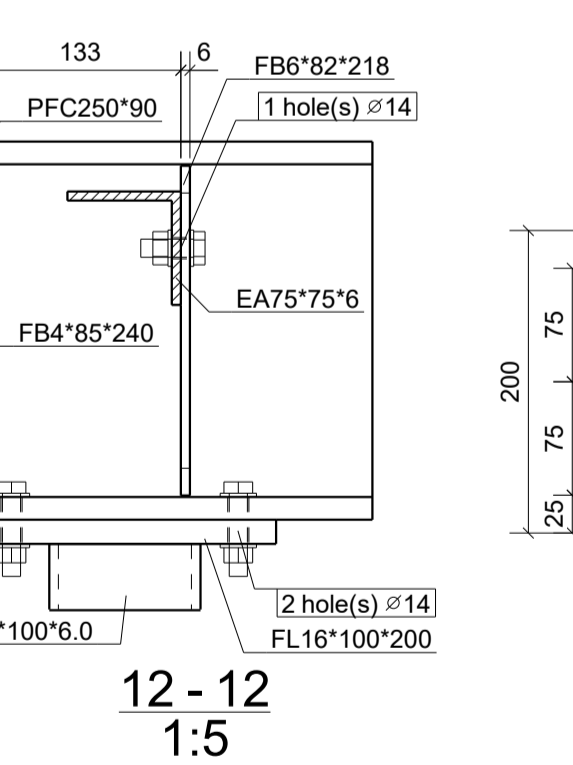
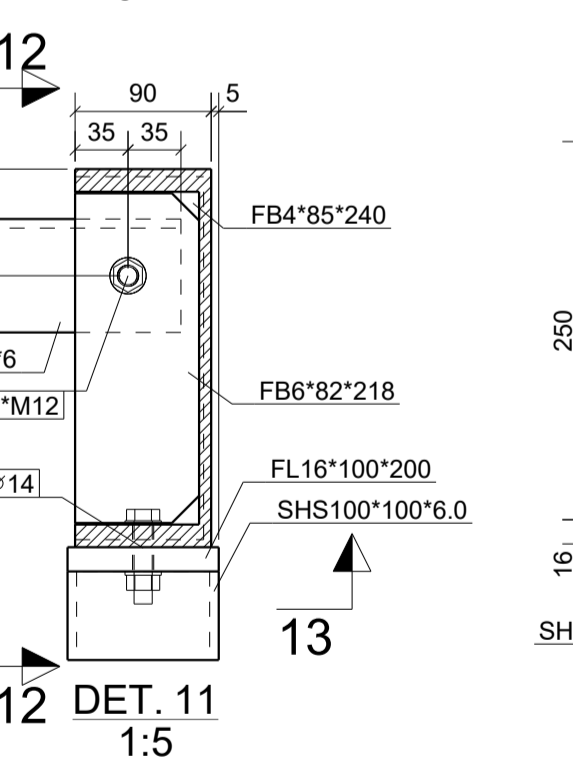
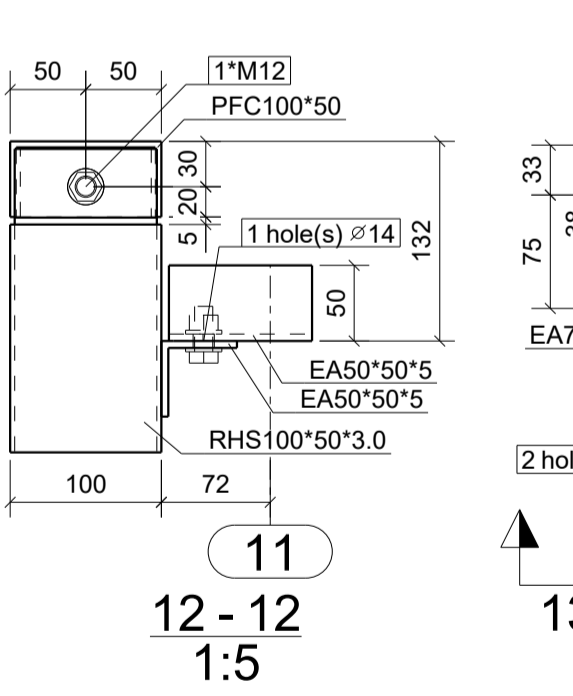
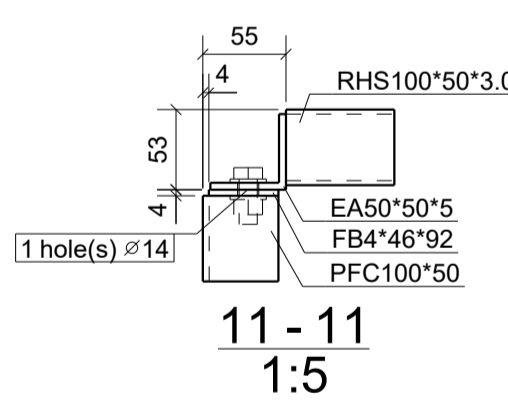
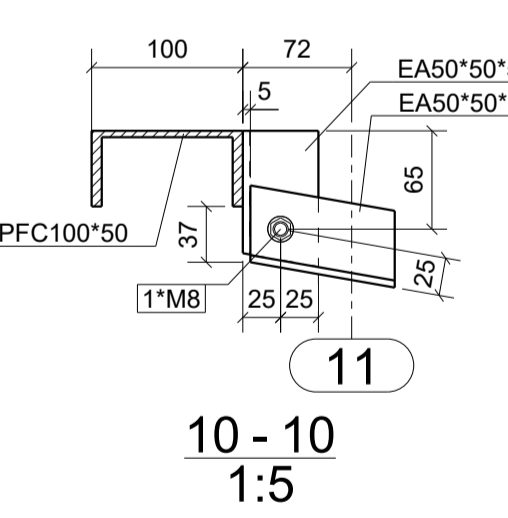
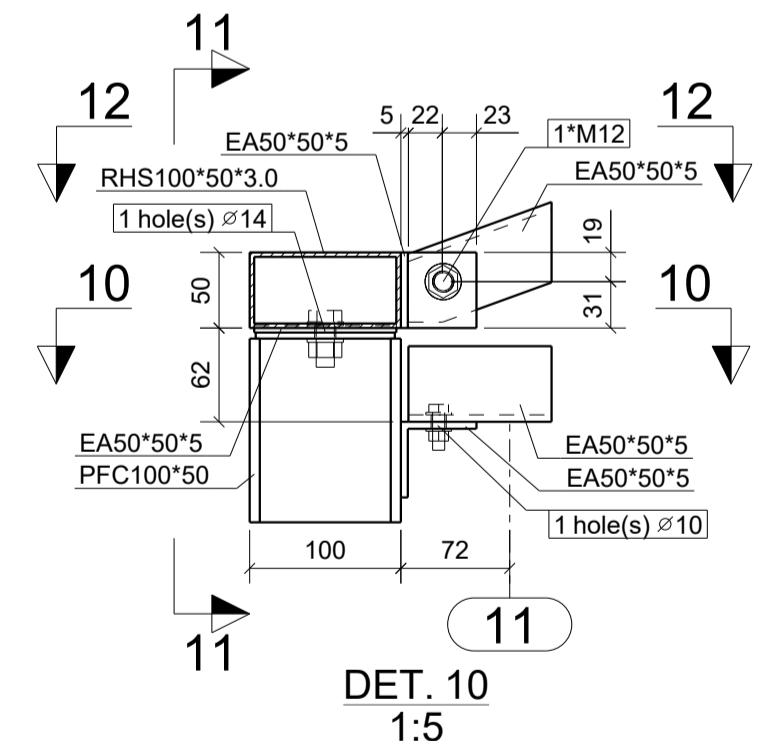
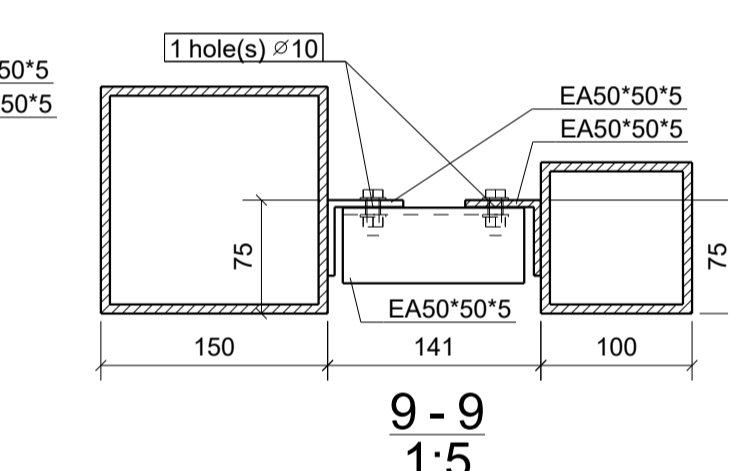
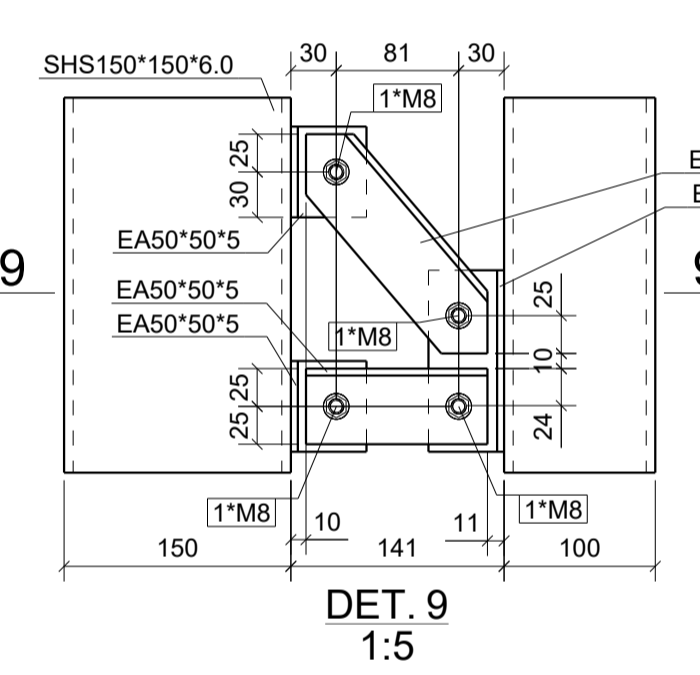
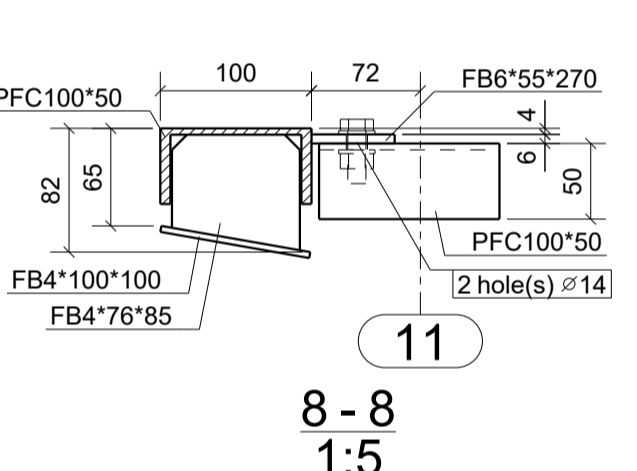
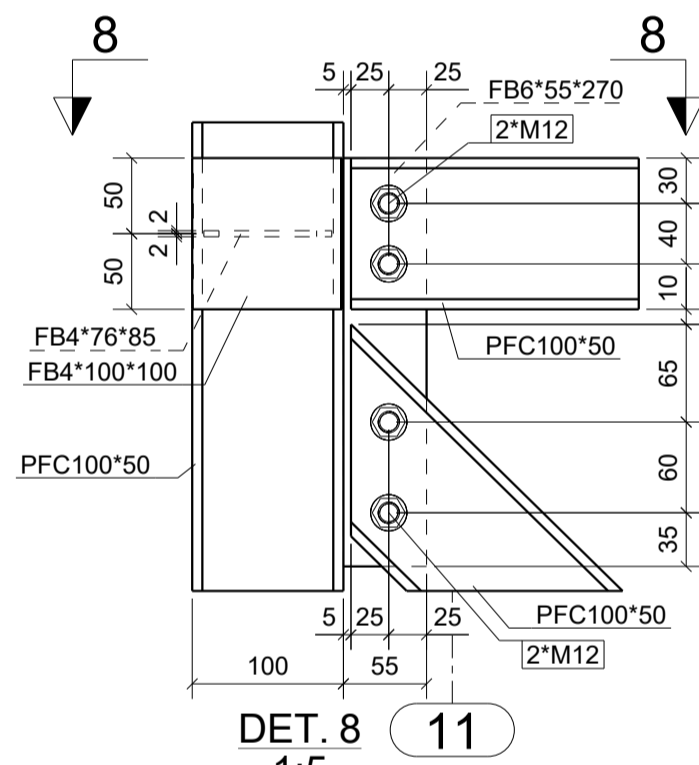
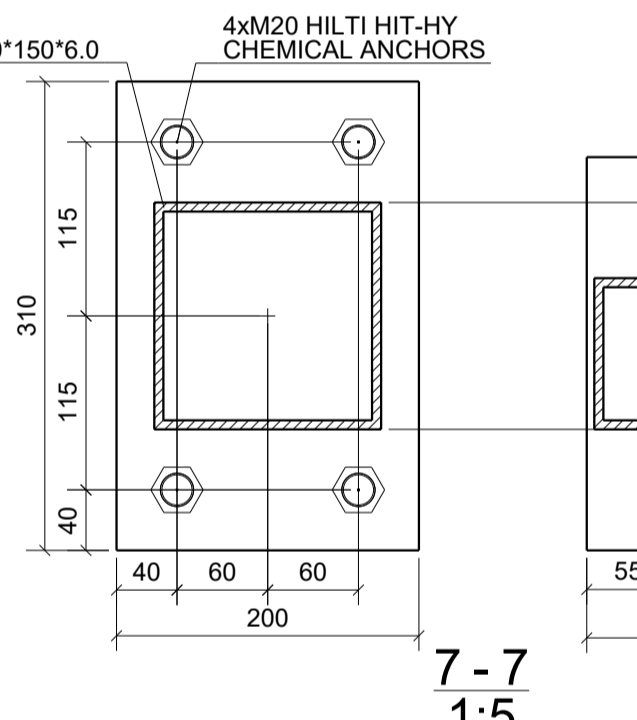
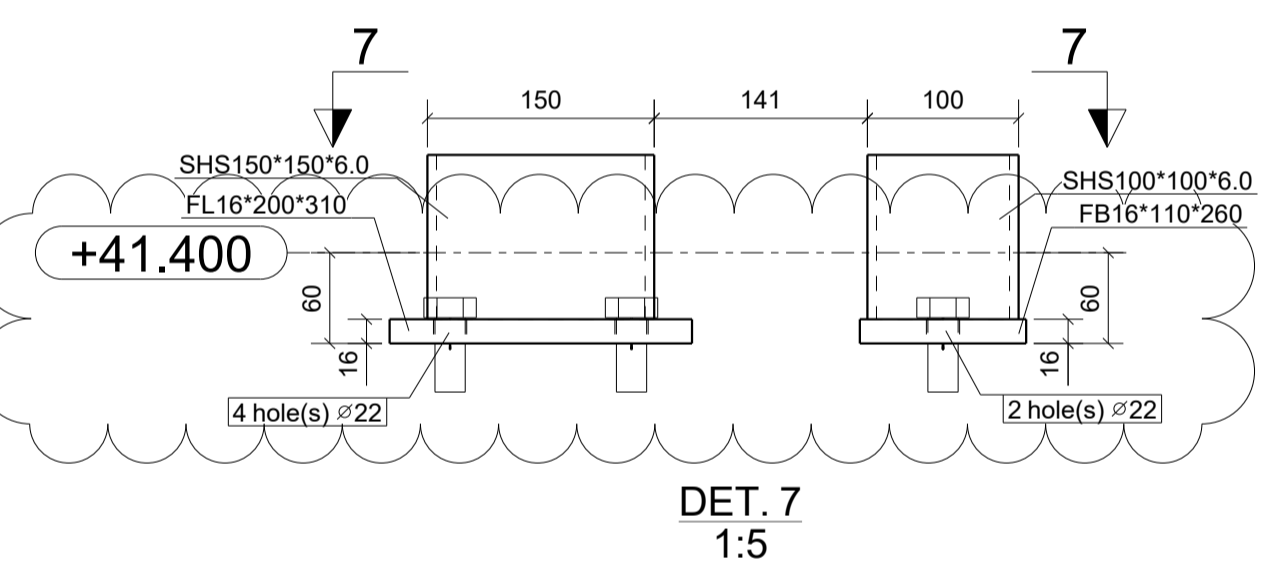
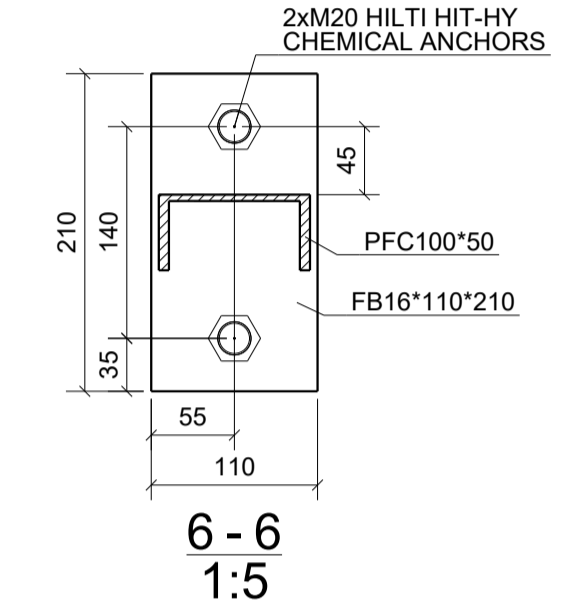
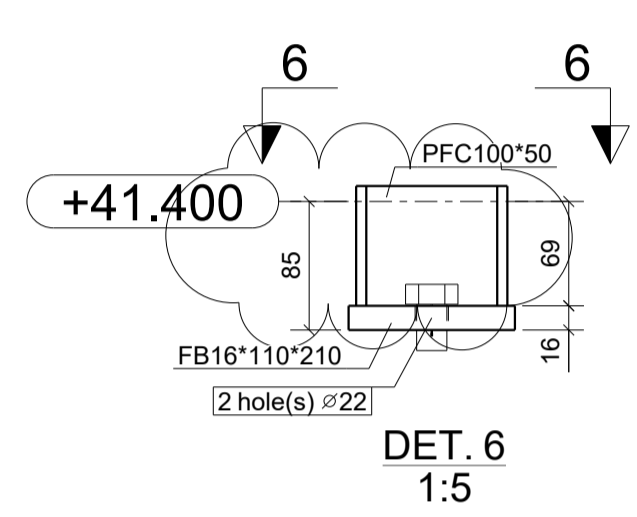
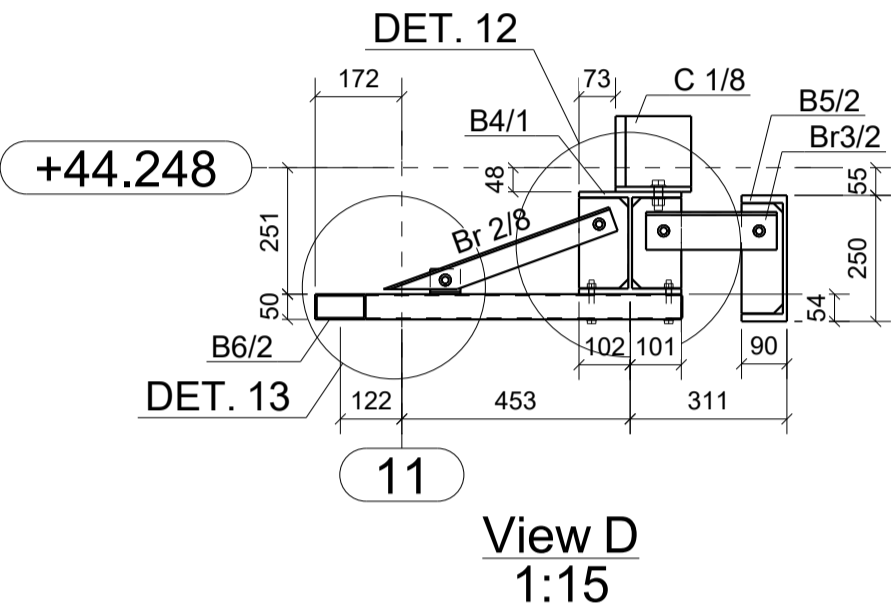
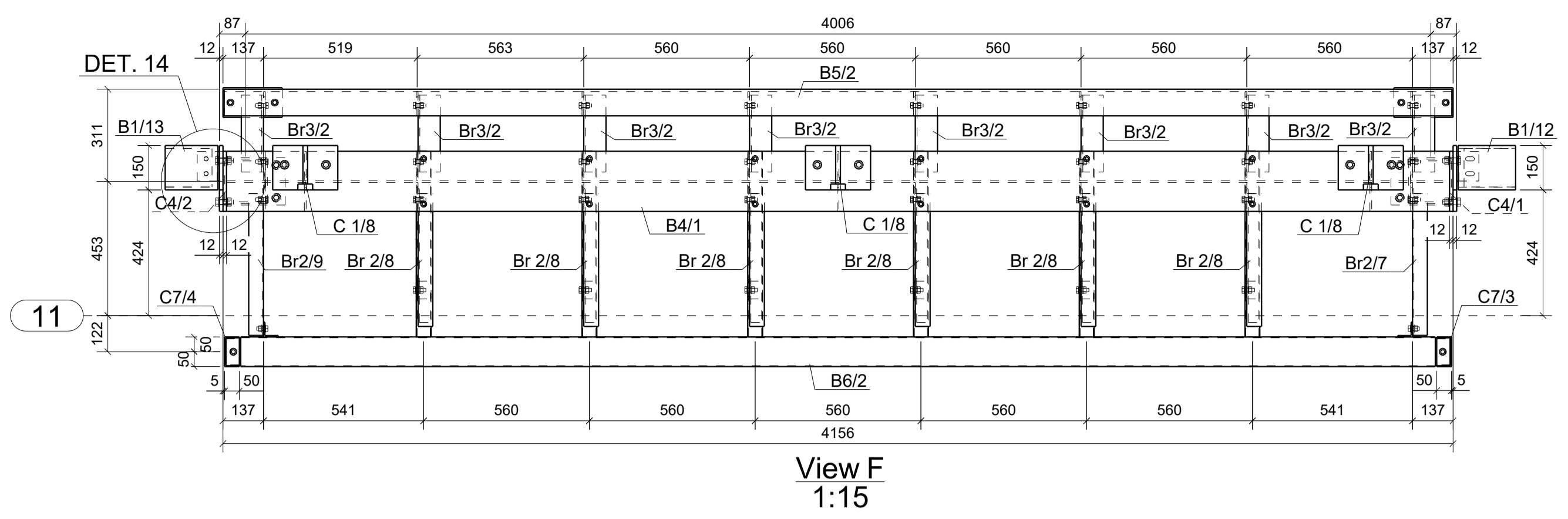
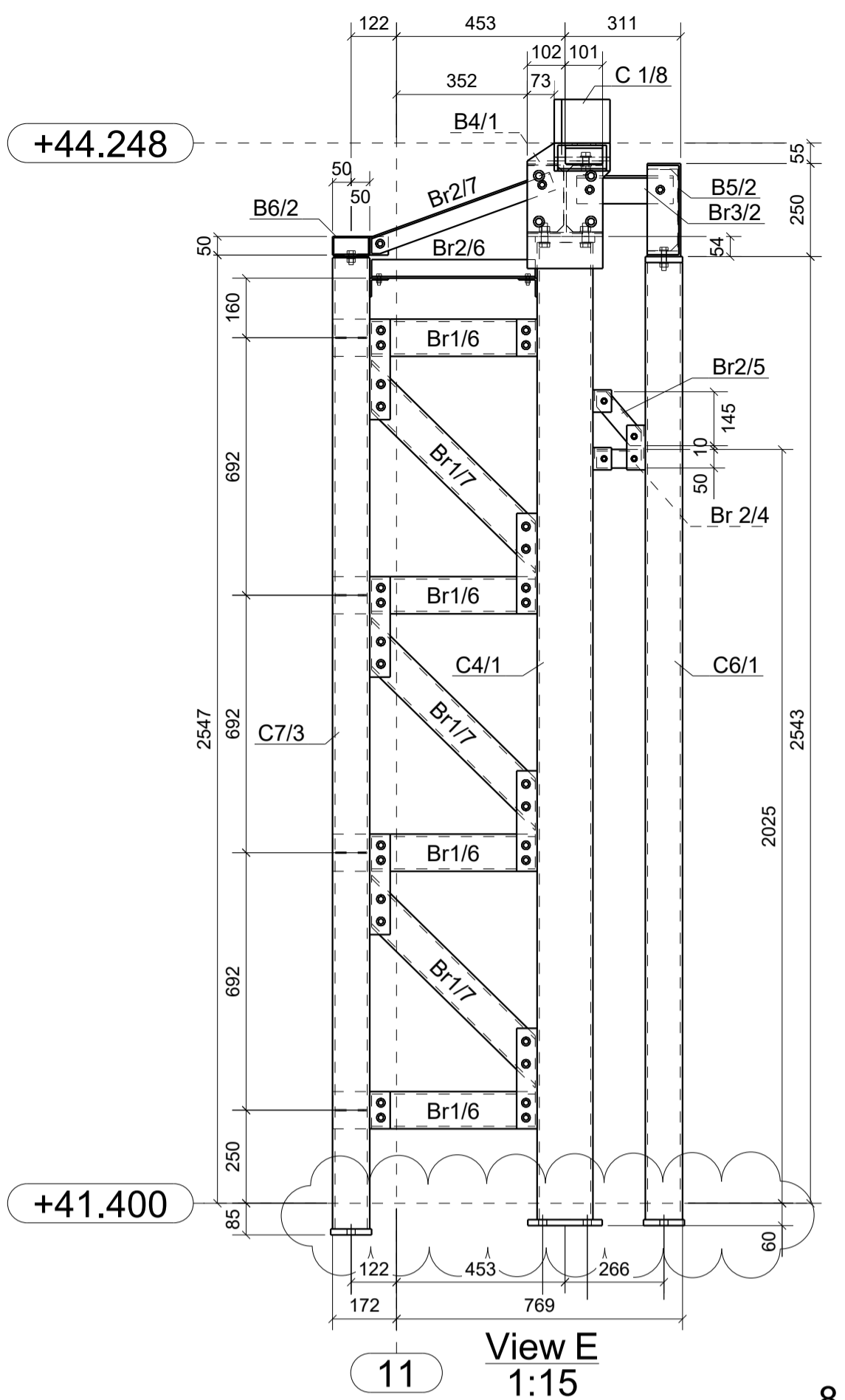
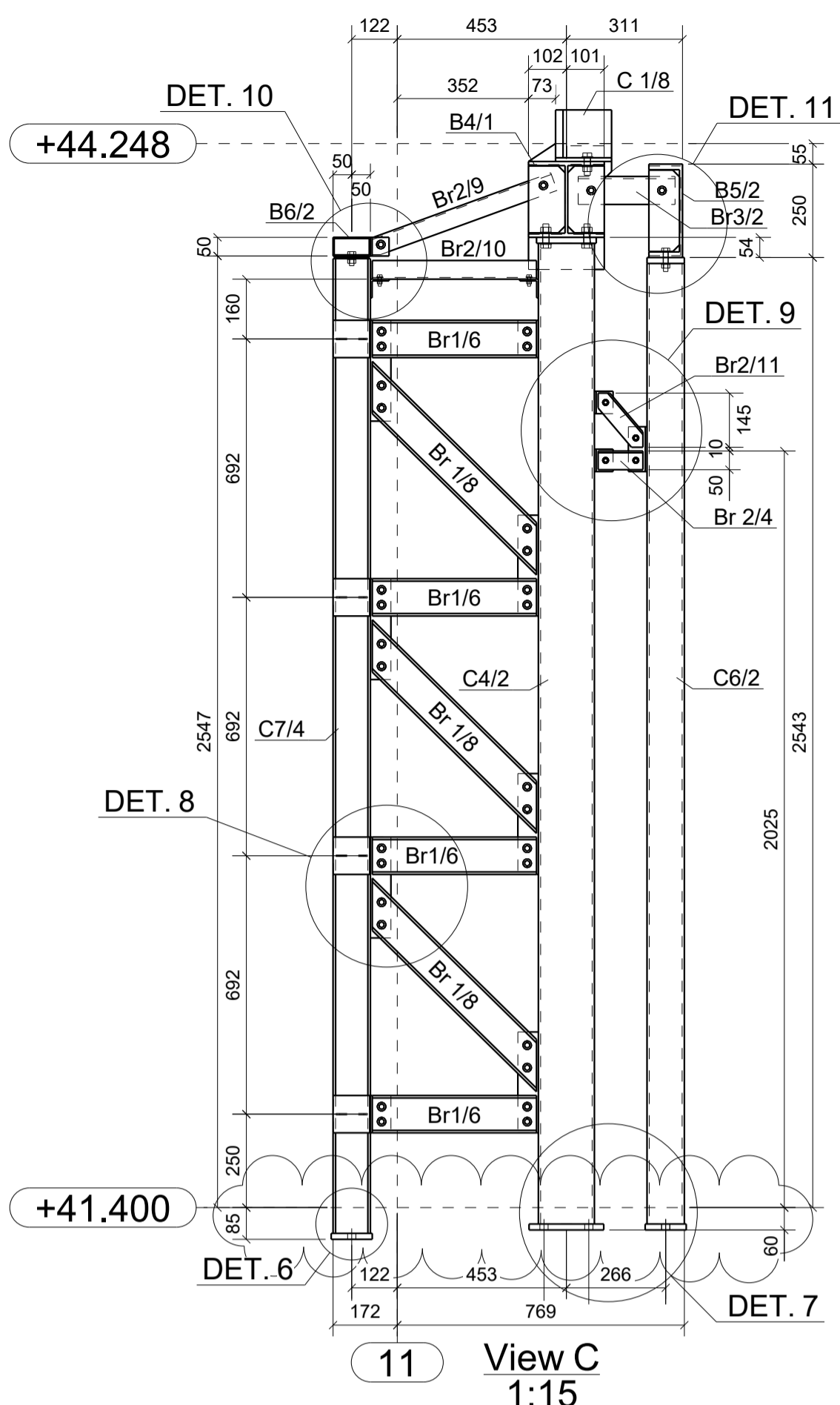
1-1
1:5

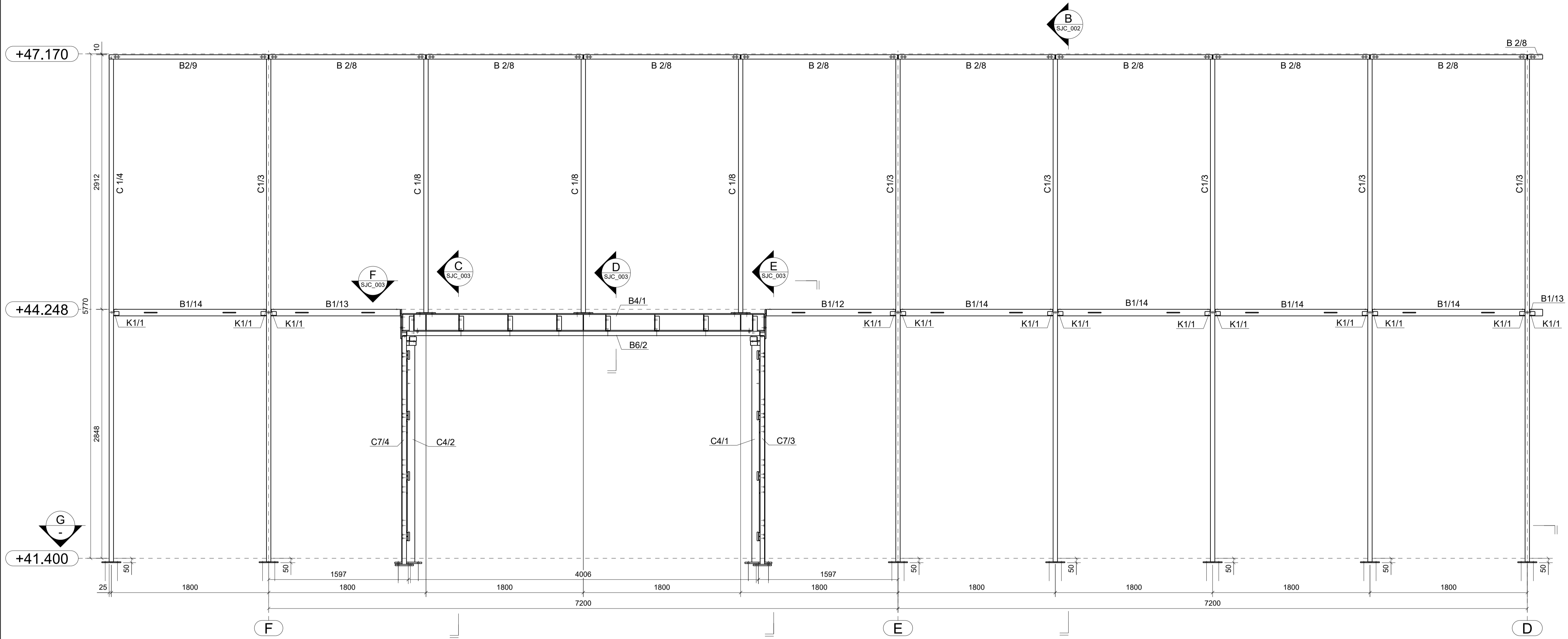


2-2
1:5

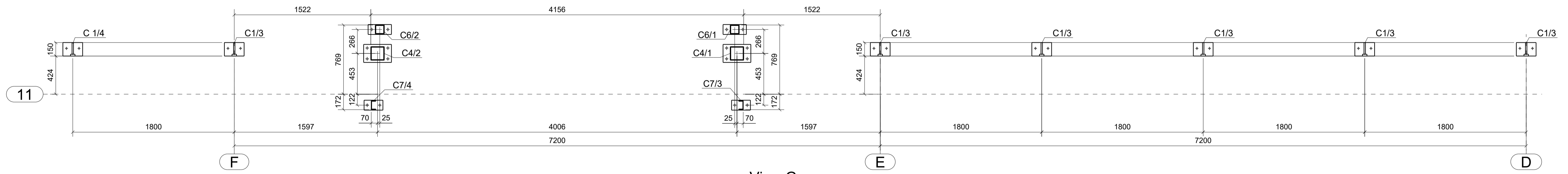


4-4
1:5

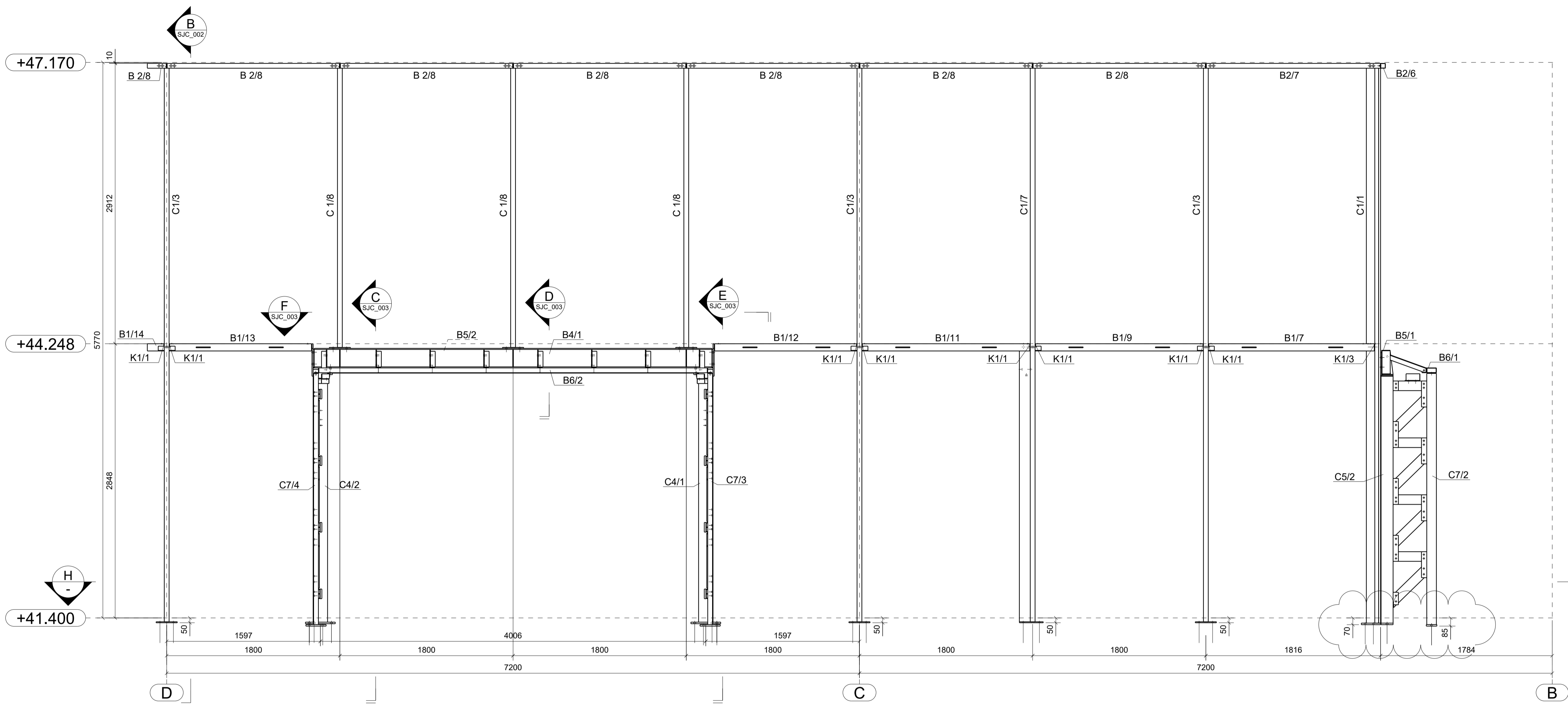




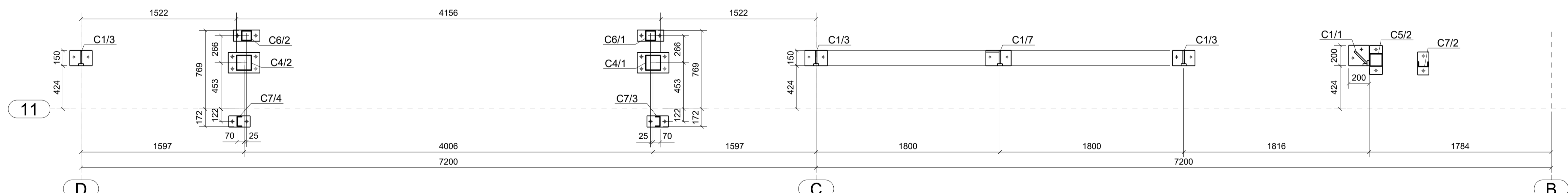
Facade at axes F-D
1:25



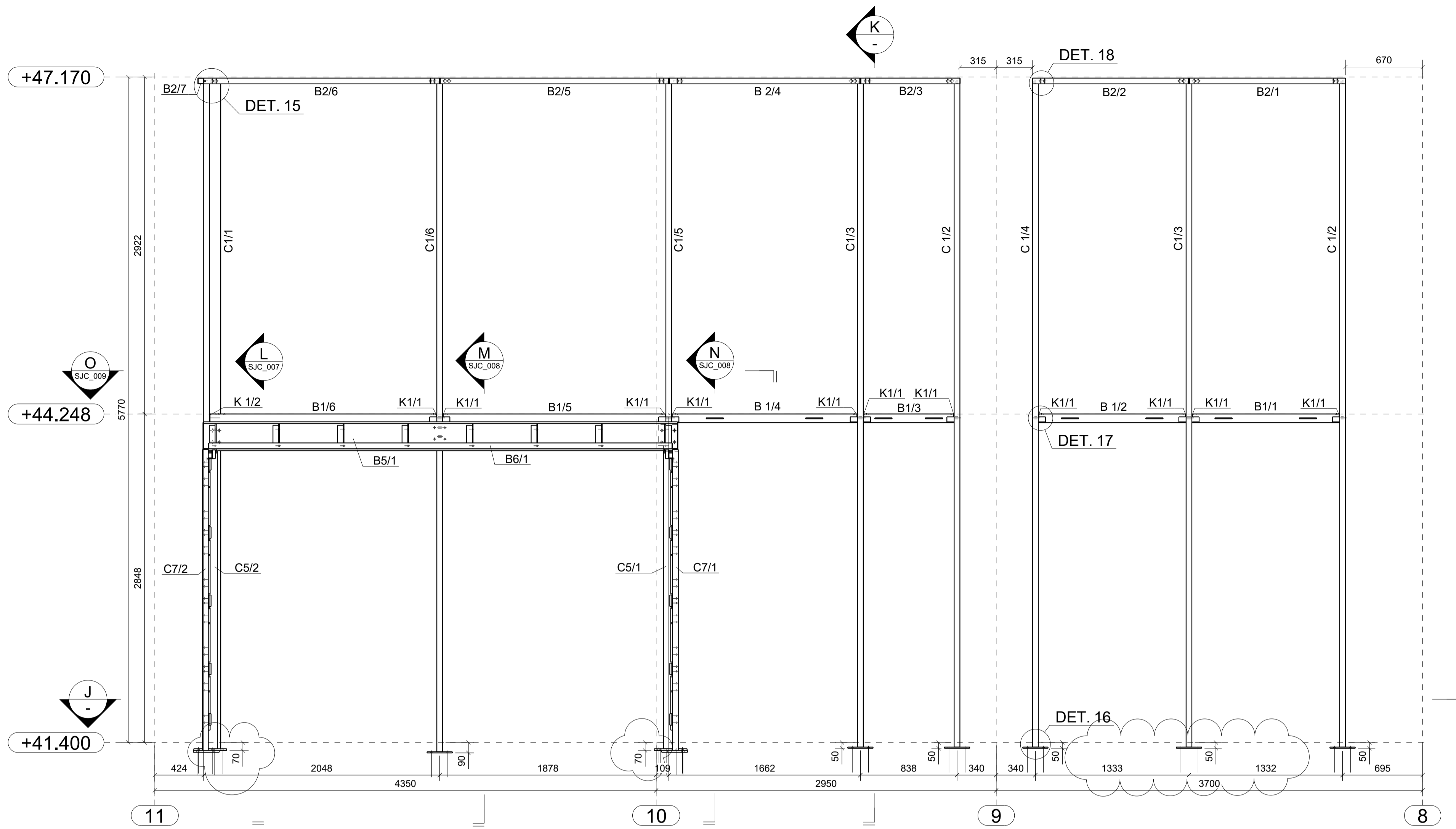
View G
1:25



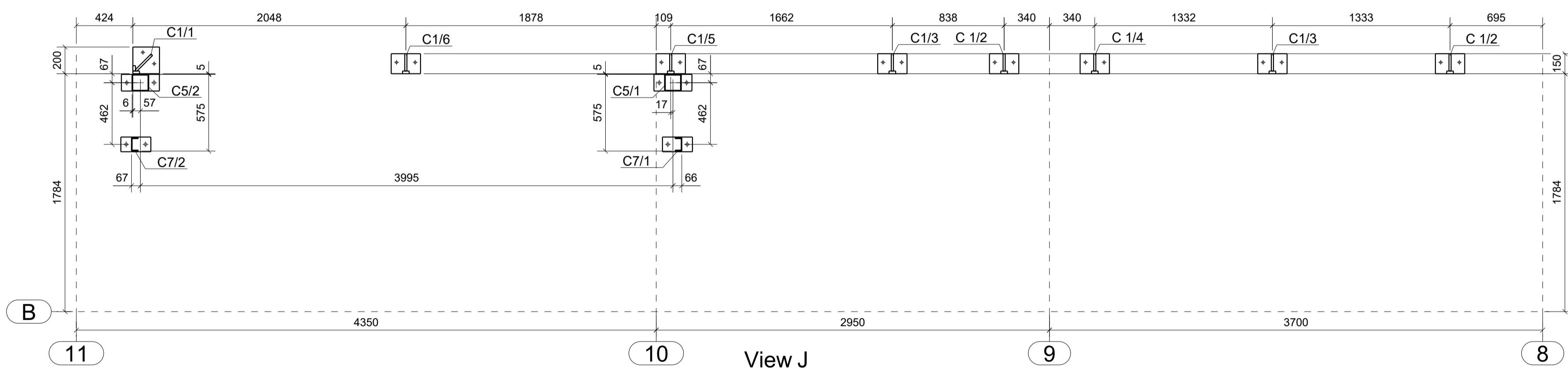
Facade at axes D-B
1:25



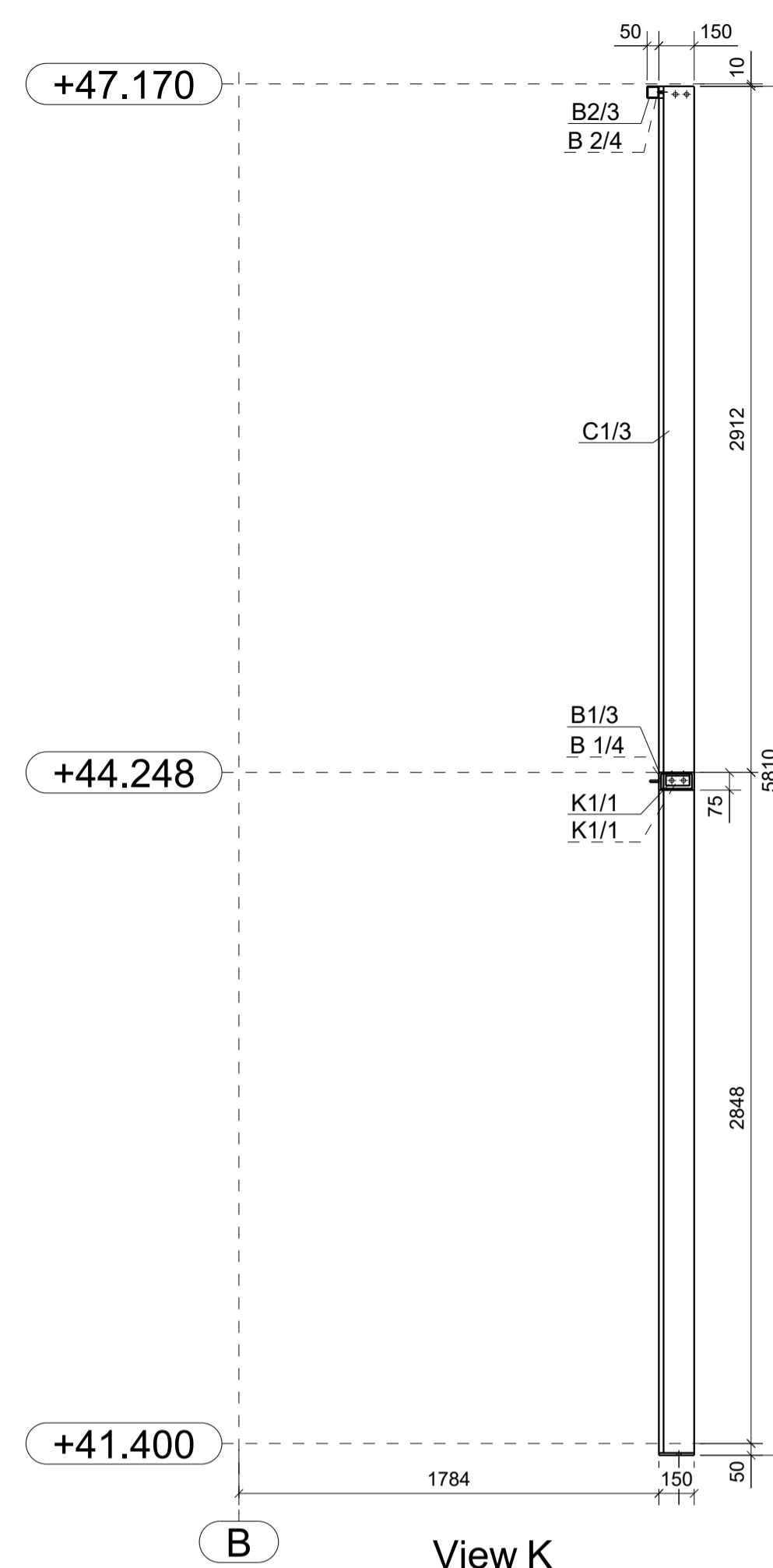
View H
1:25



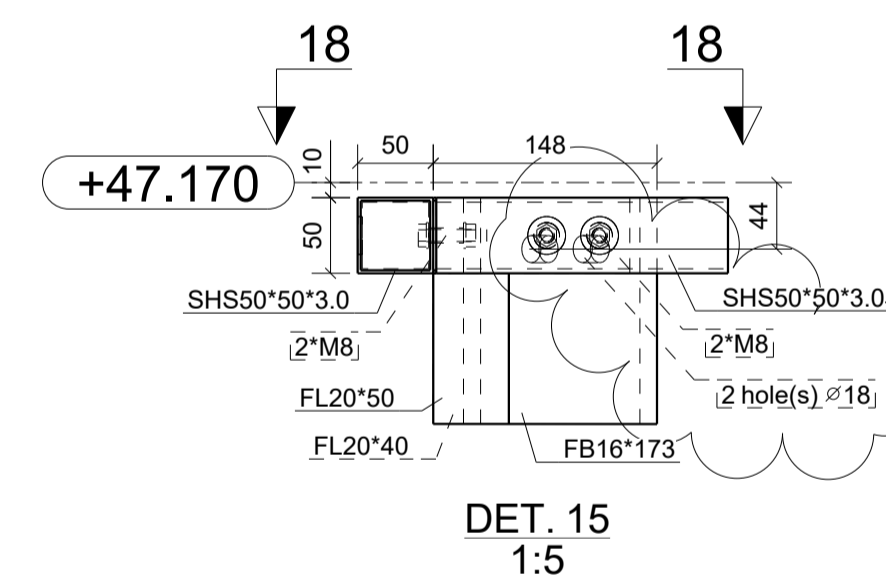
Facade at axes 11-8
1:25



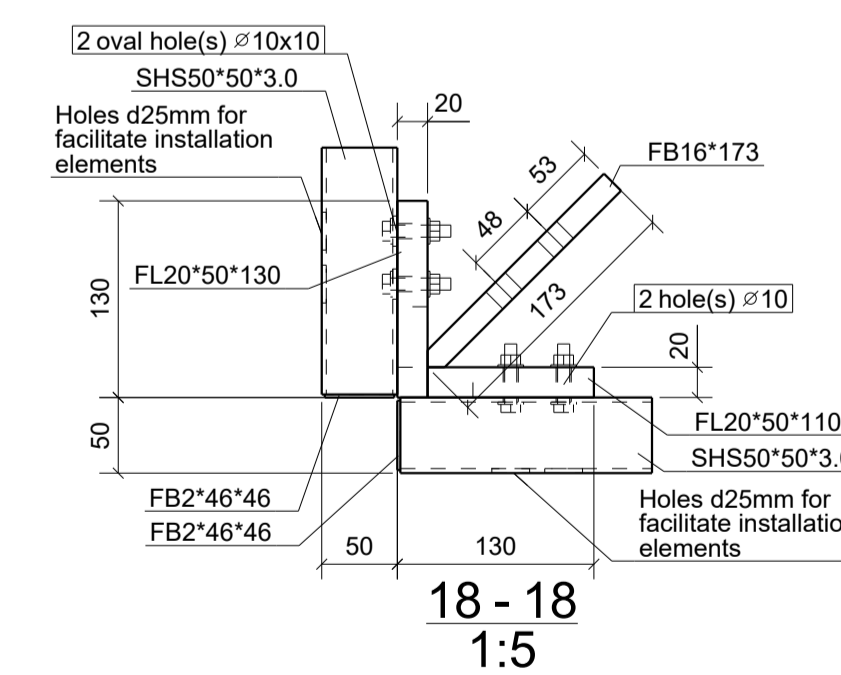
View J
1:25



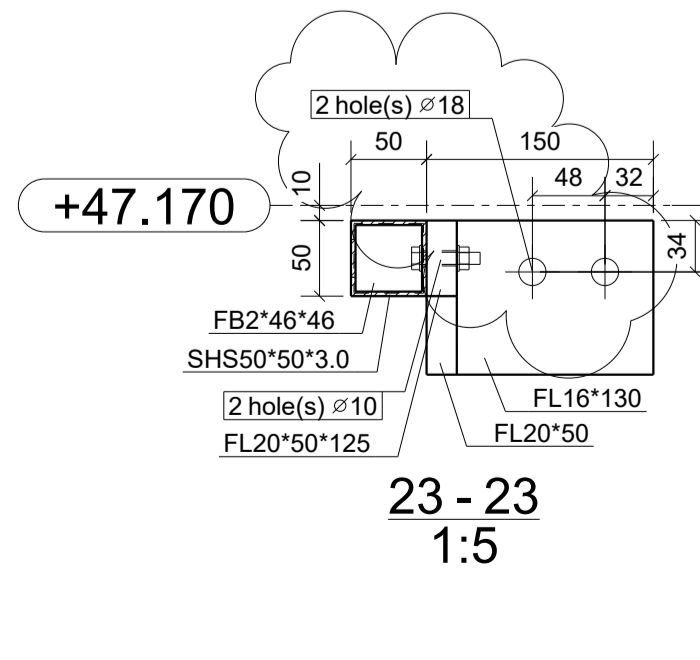
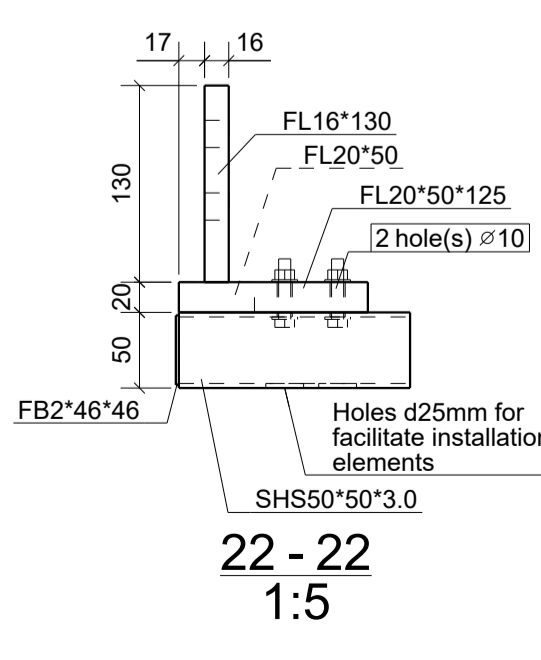
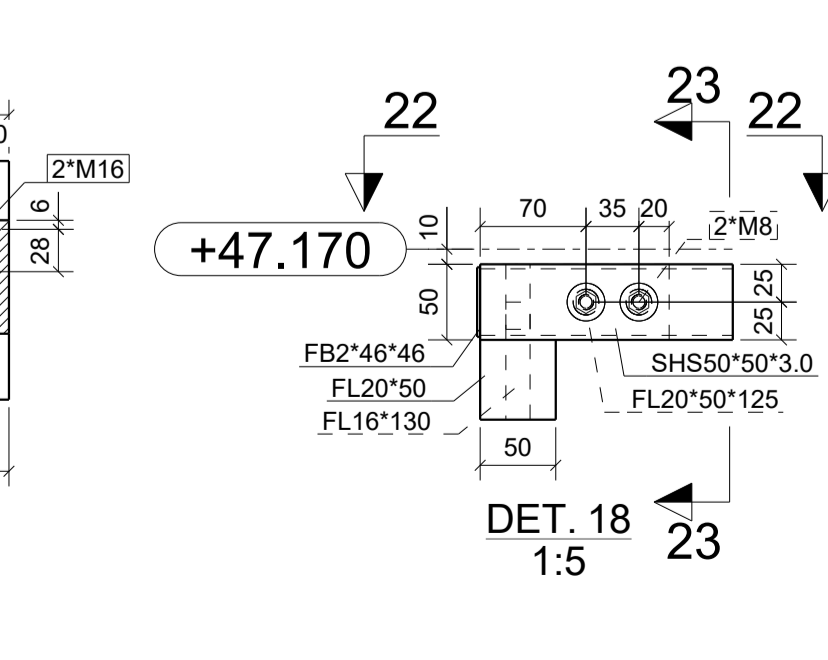
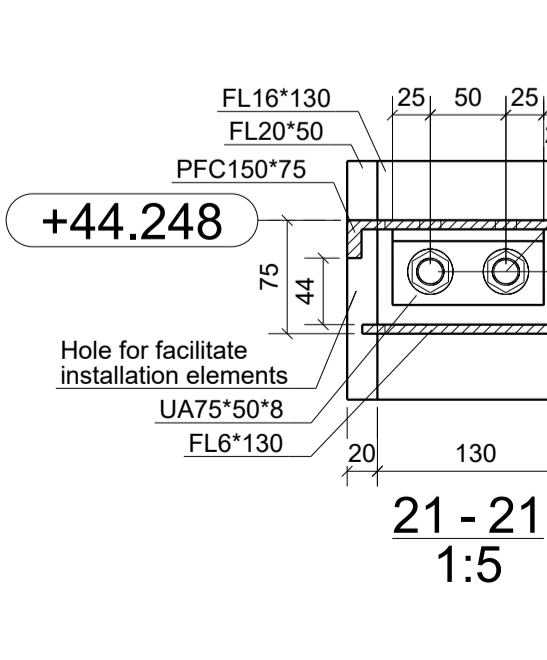
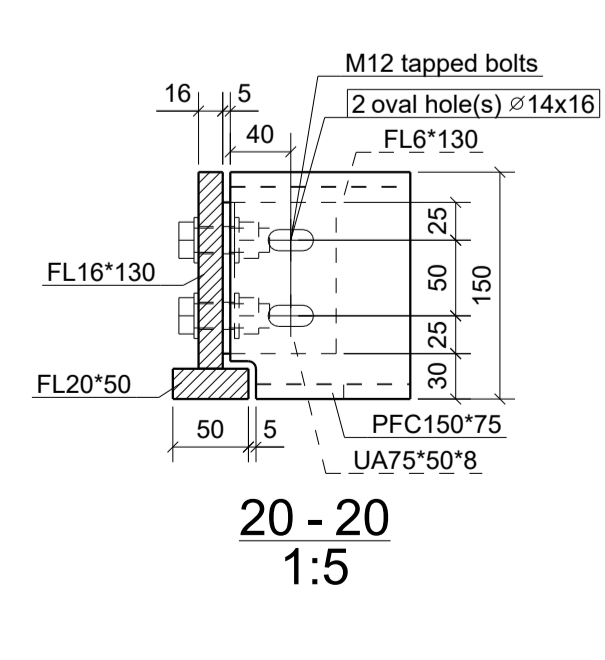
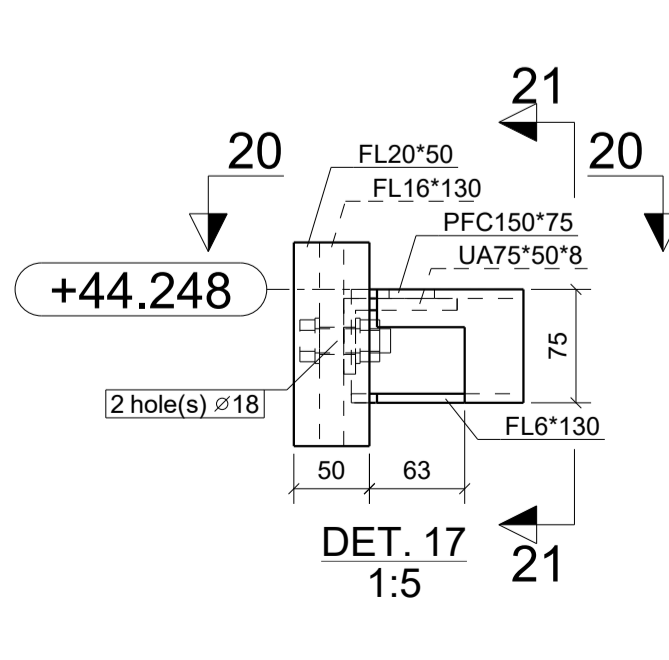
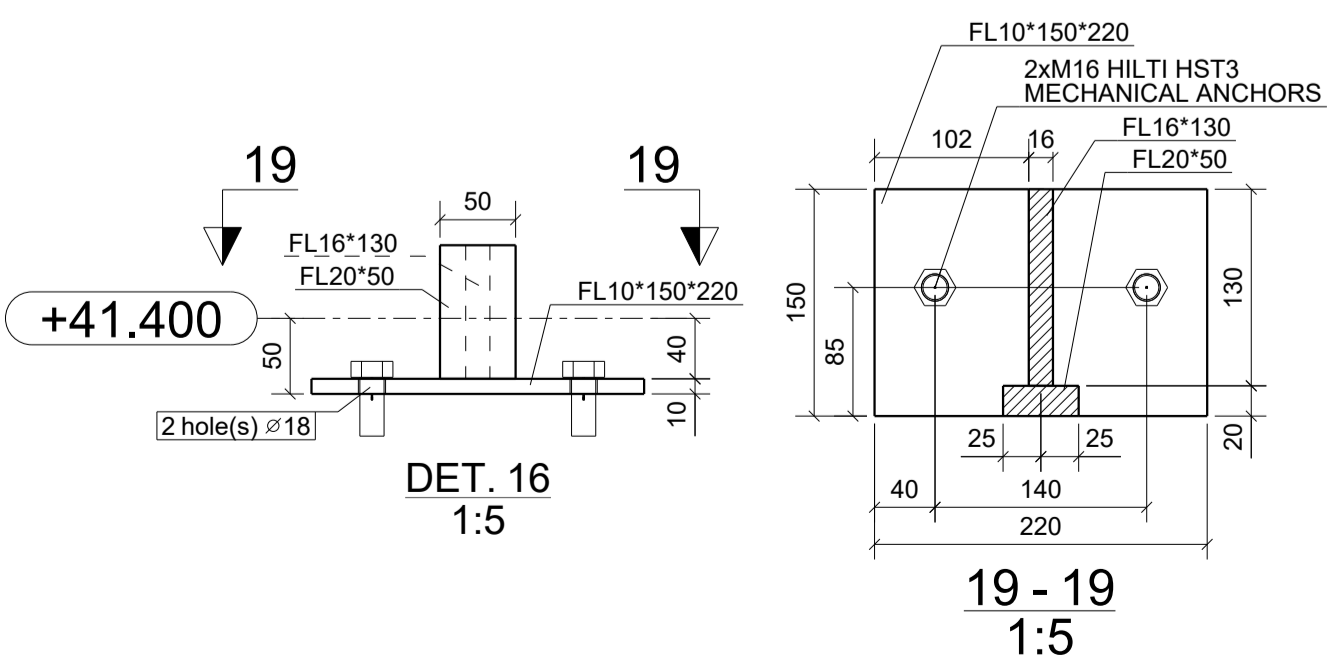
View K
1:25

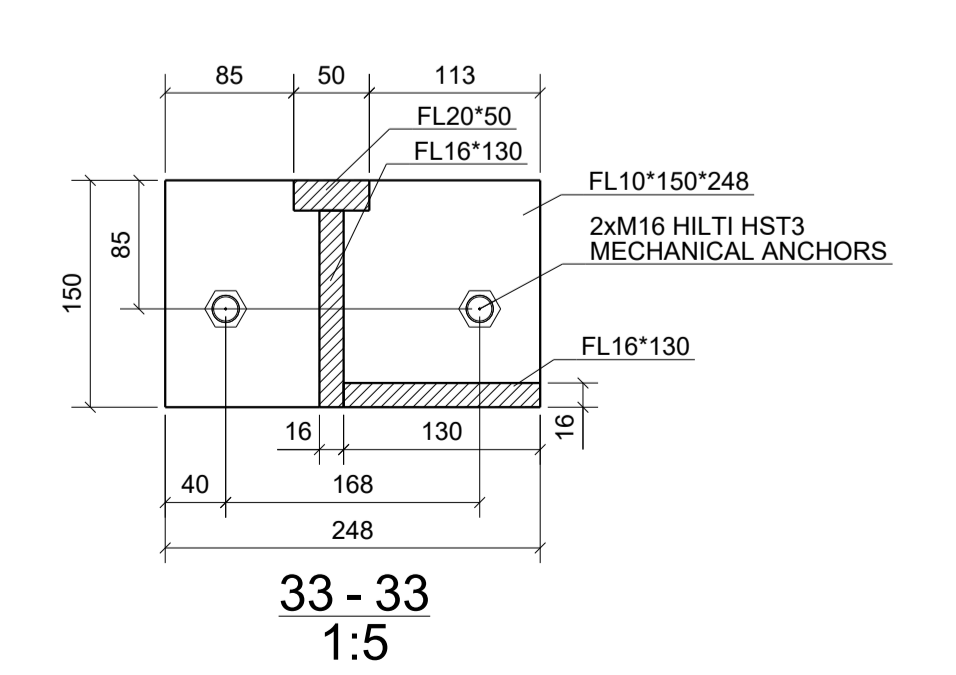
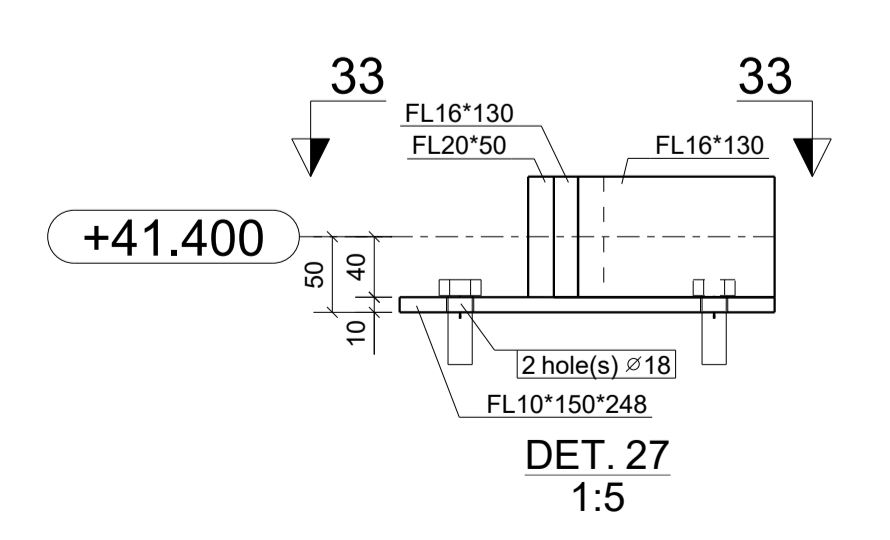
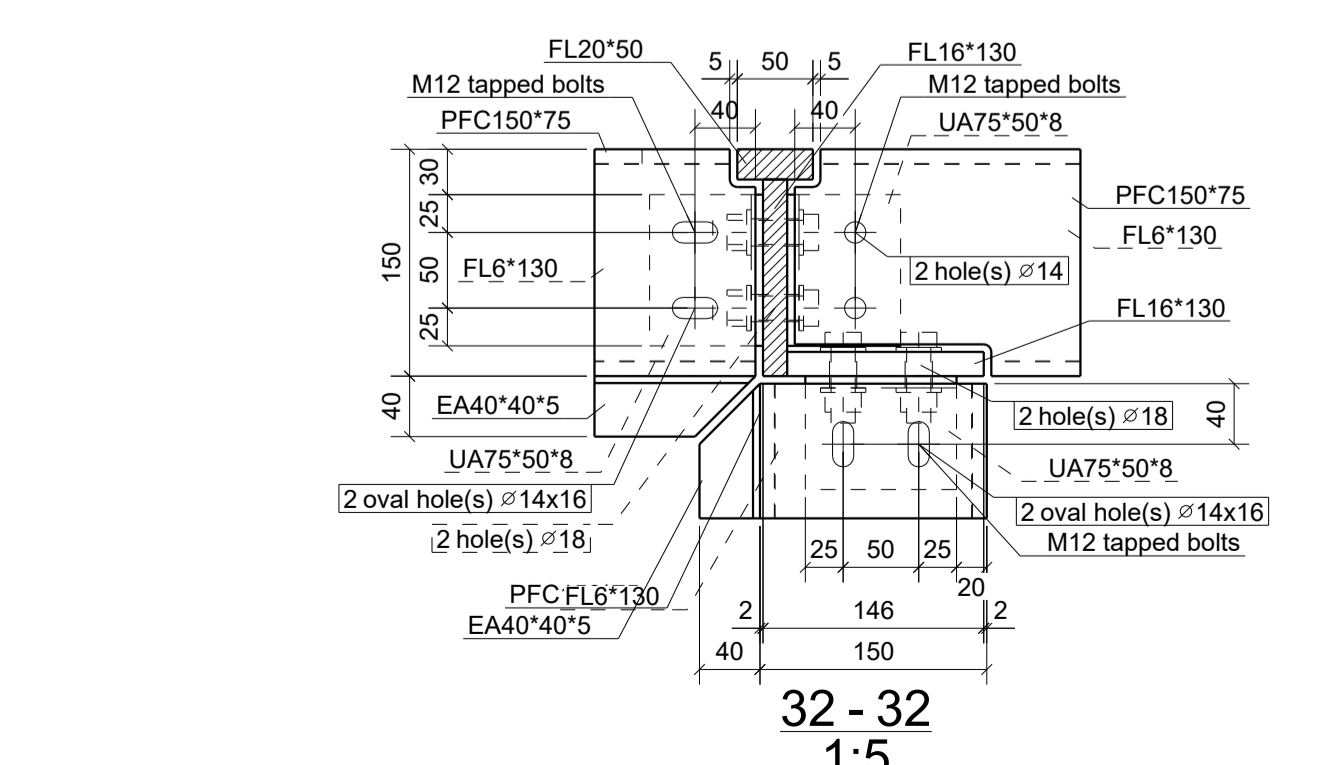
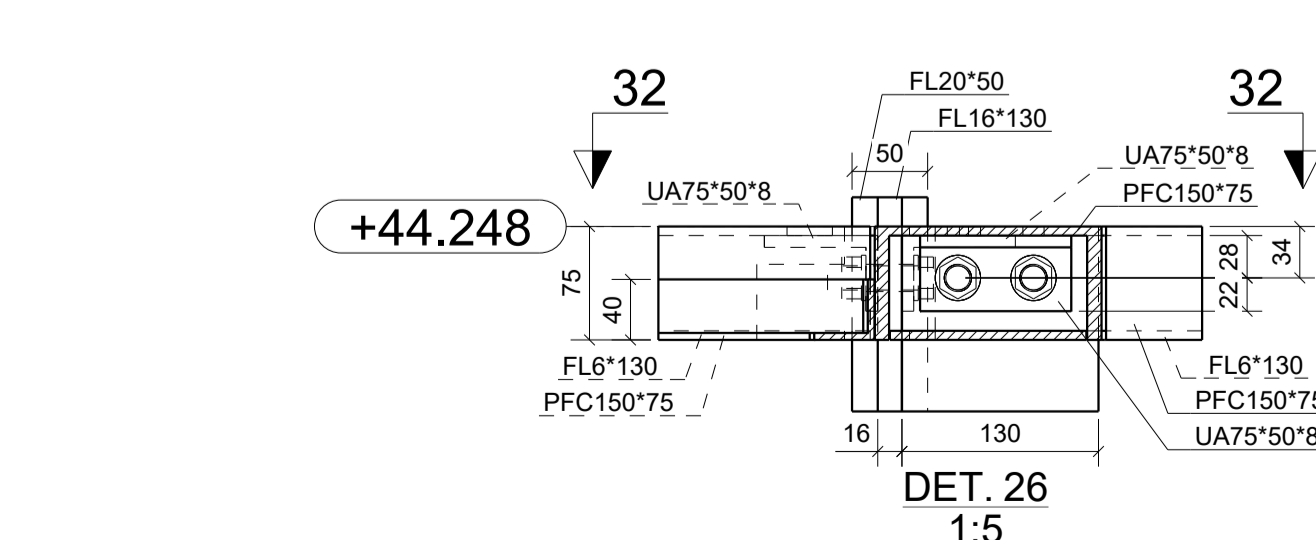
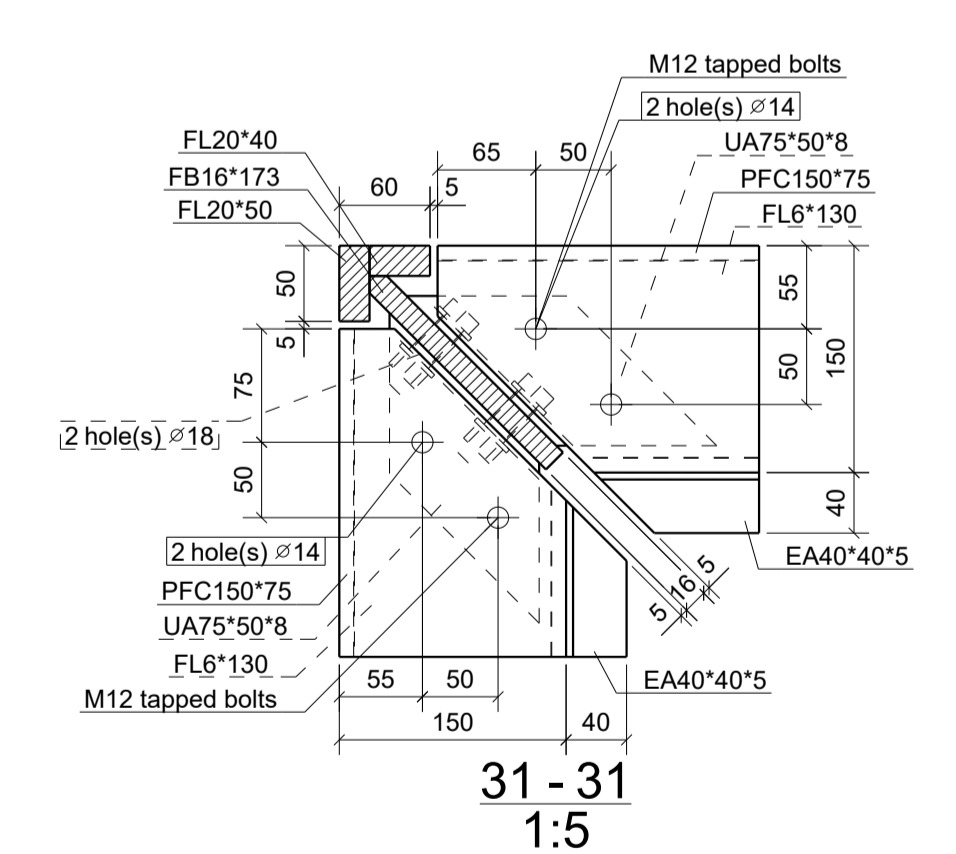
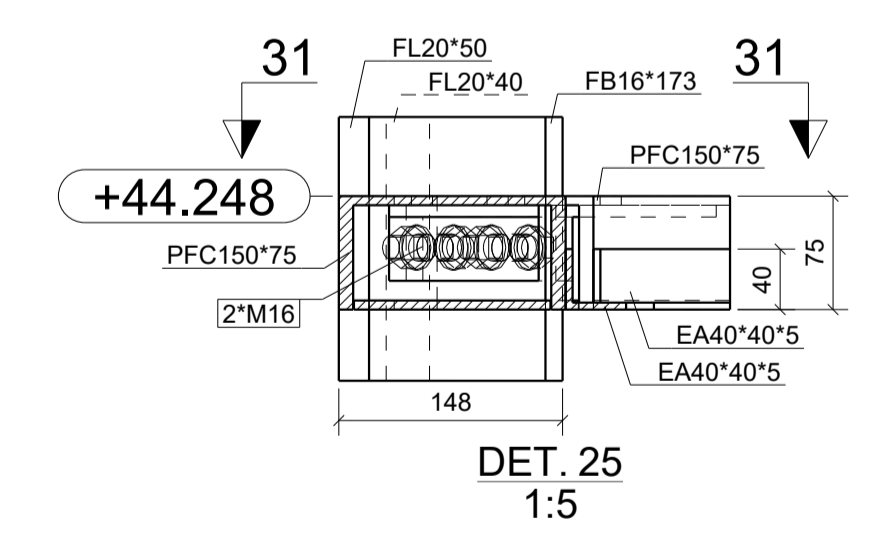
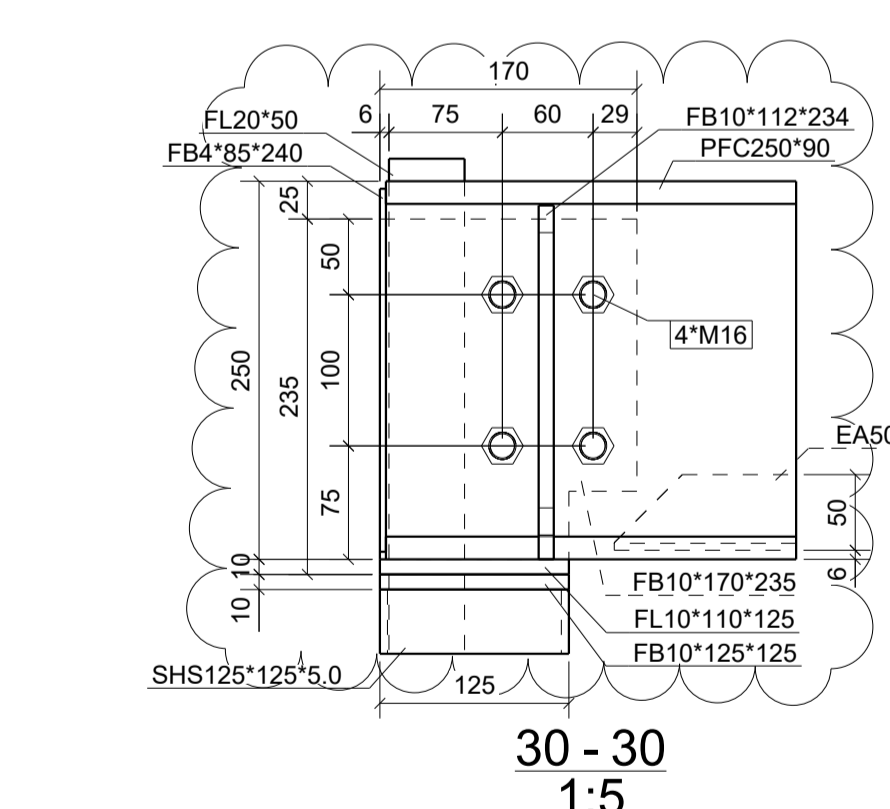
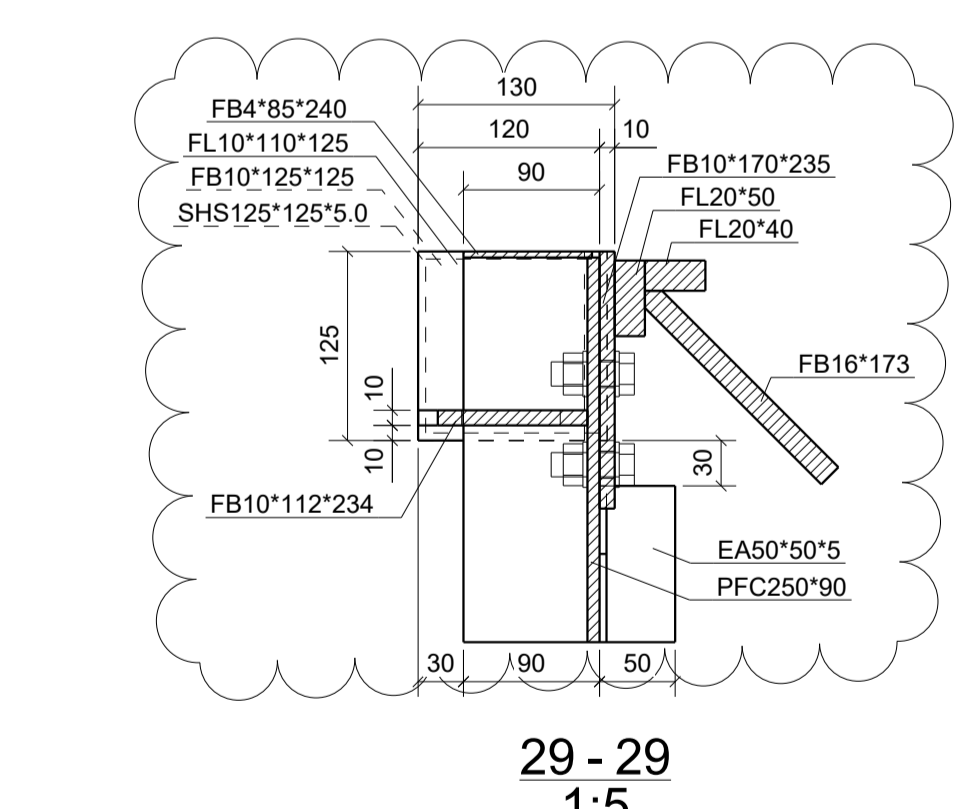
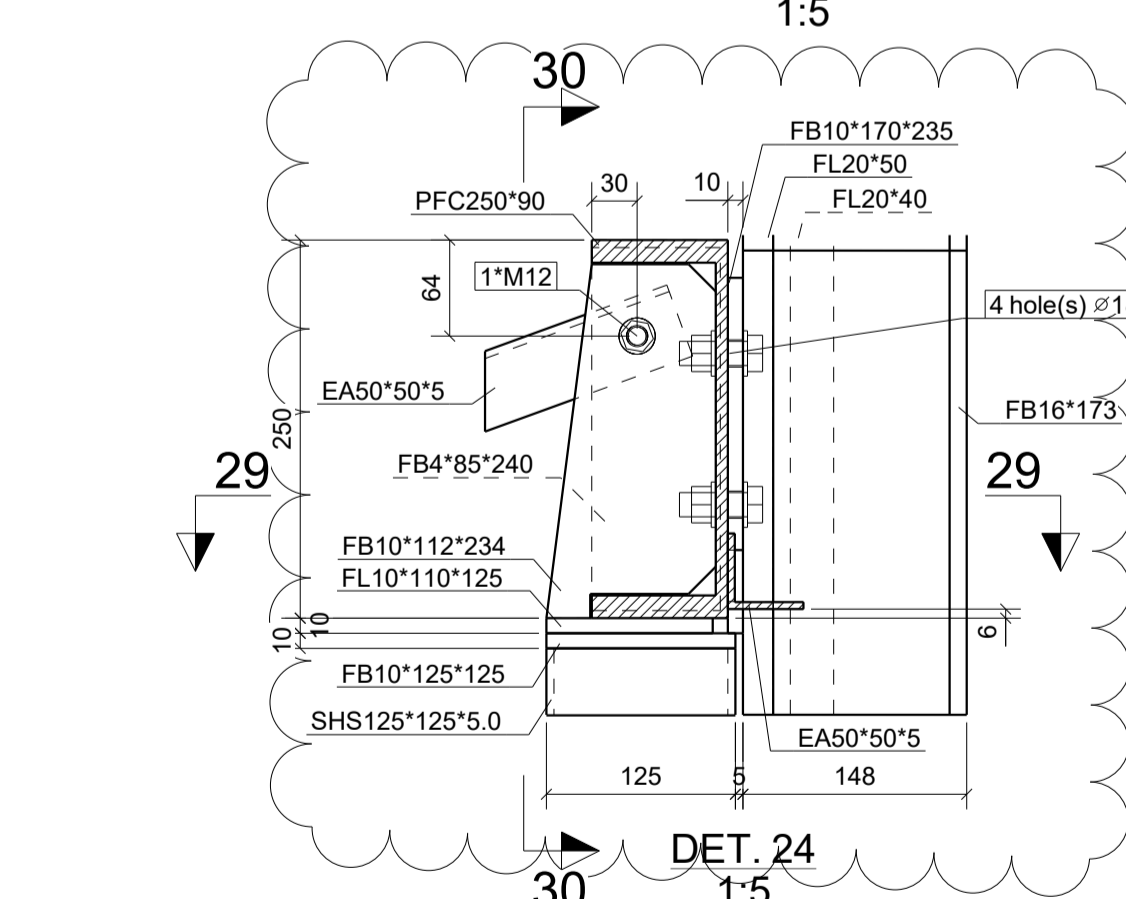
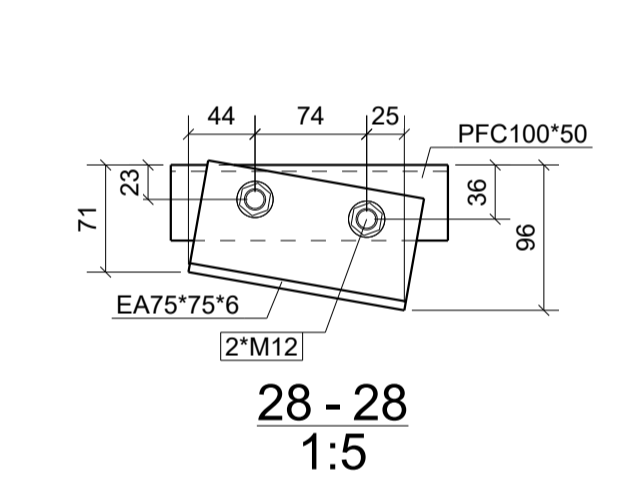
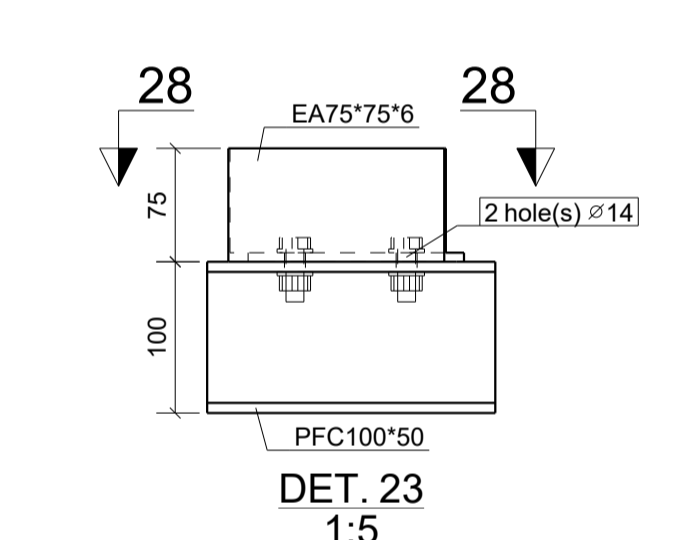
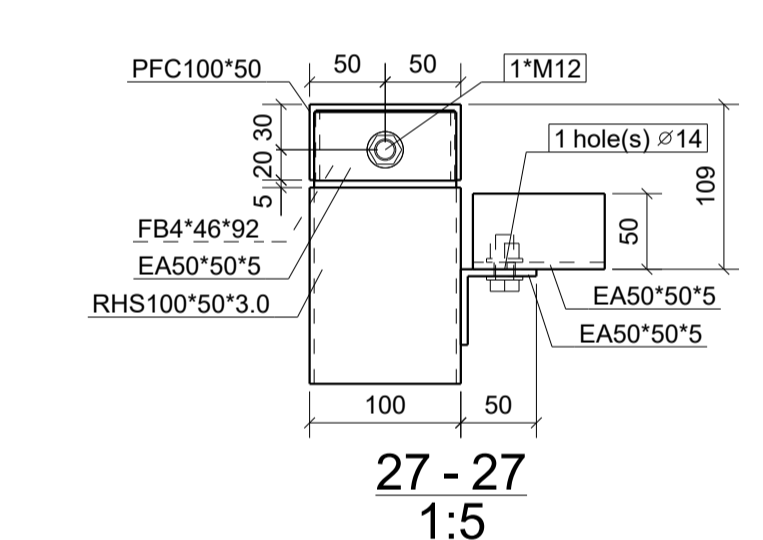
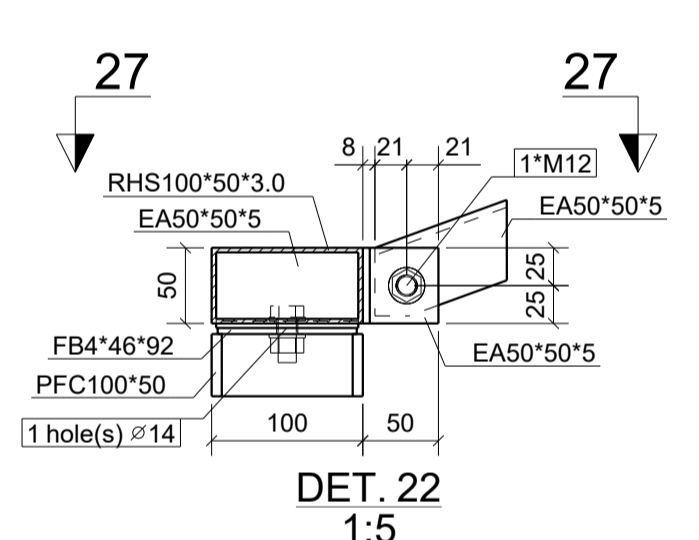
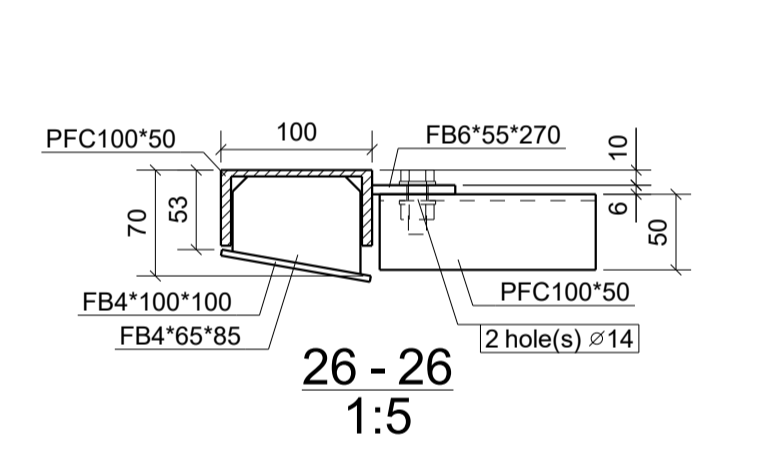
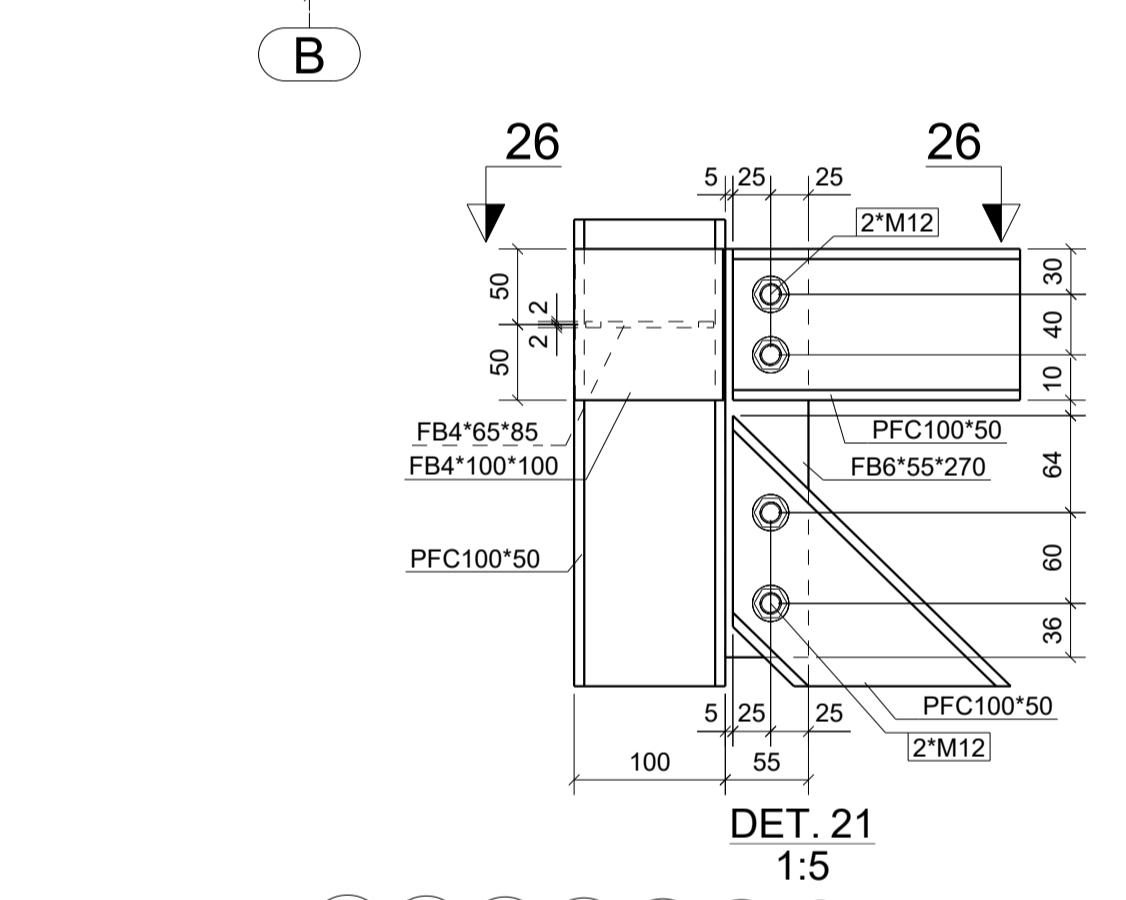
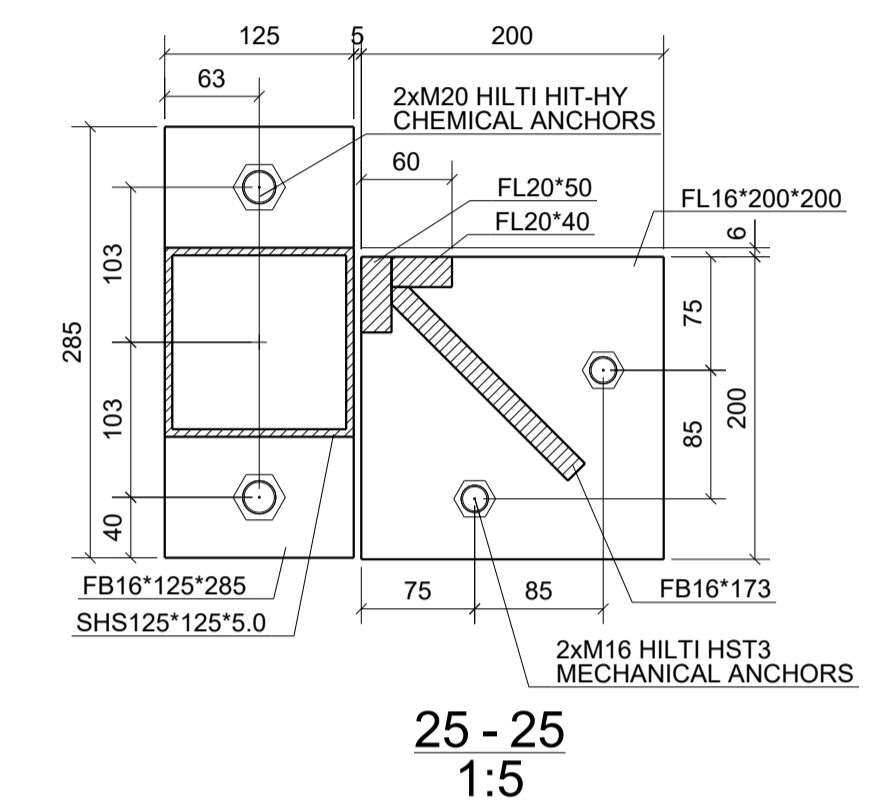
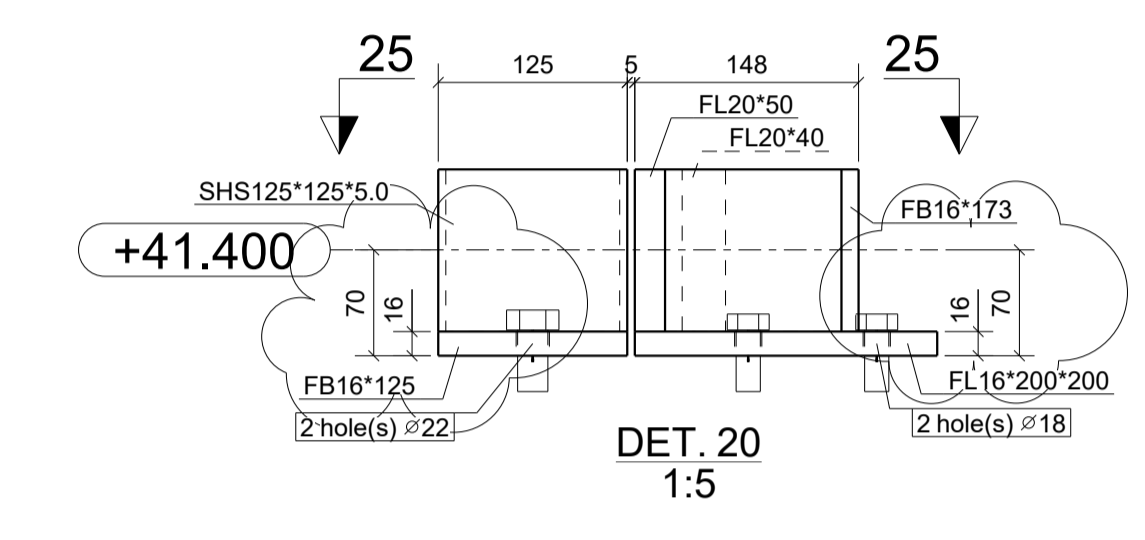
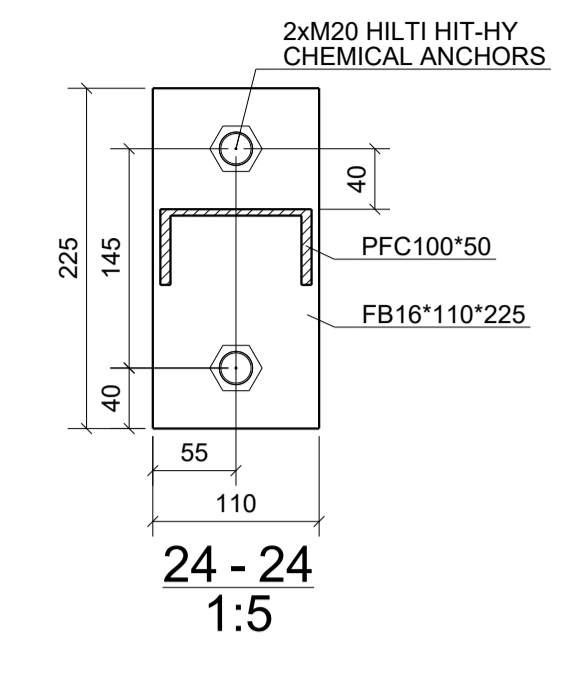
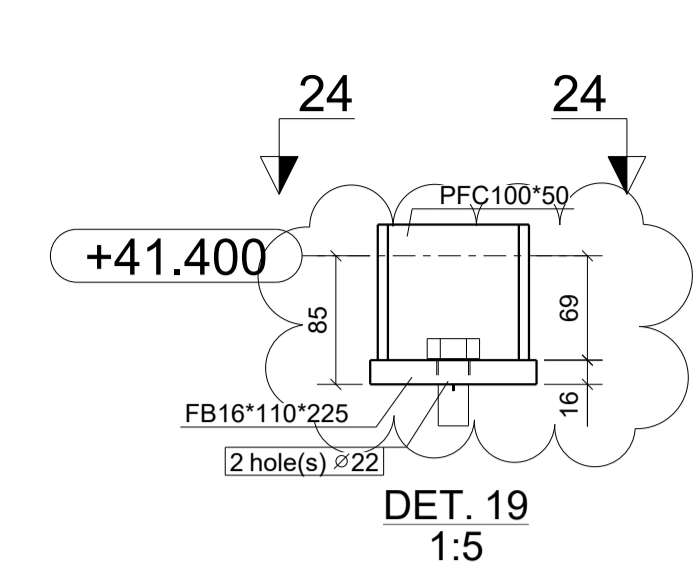
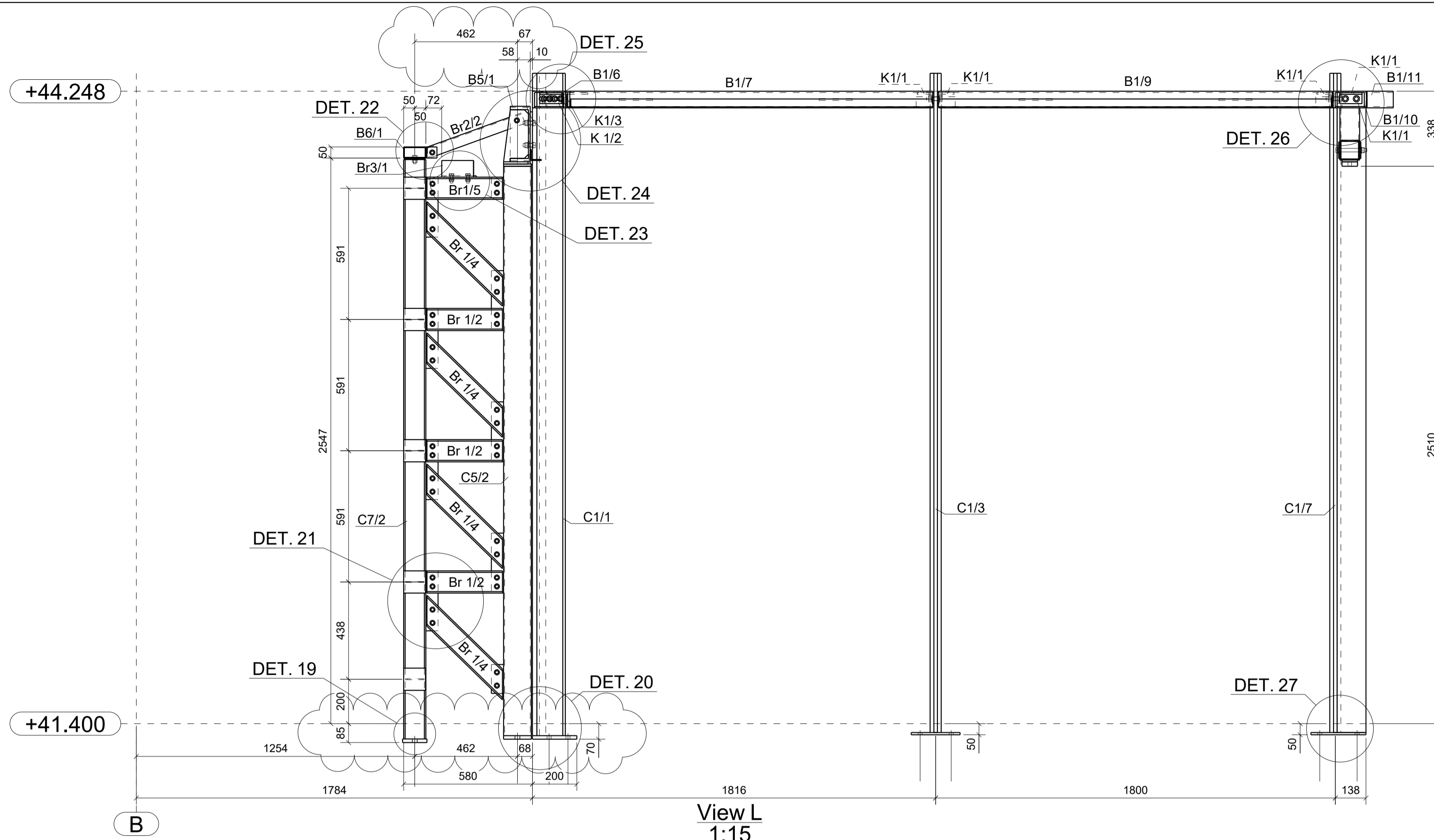


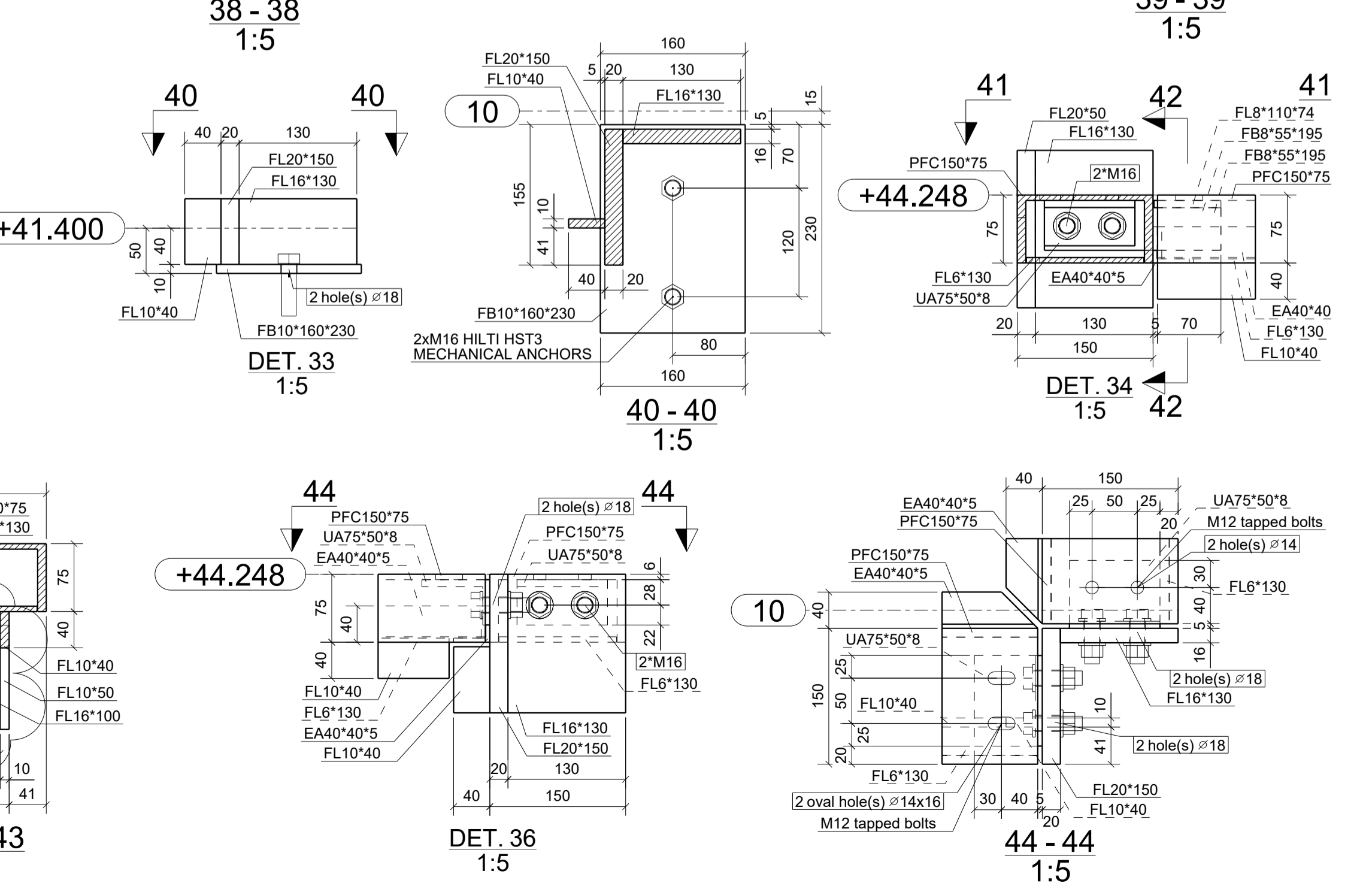
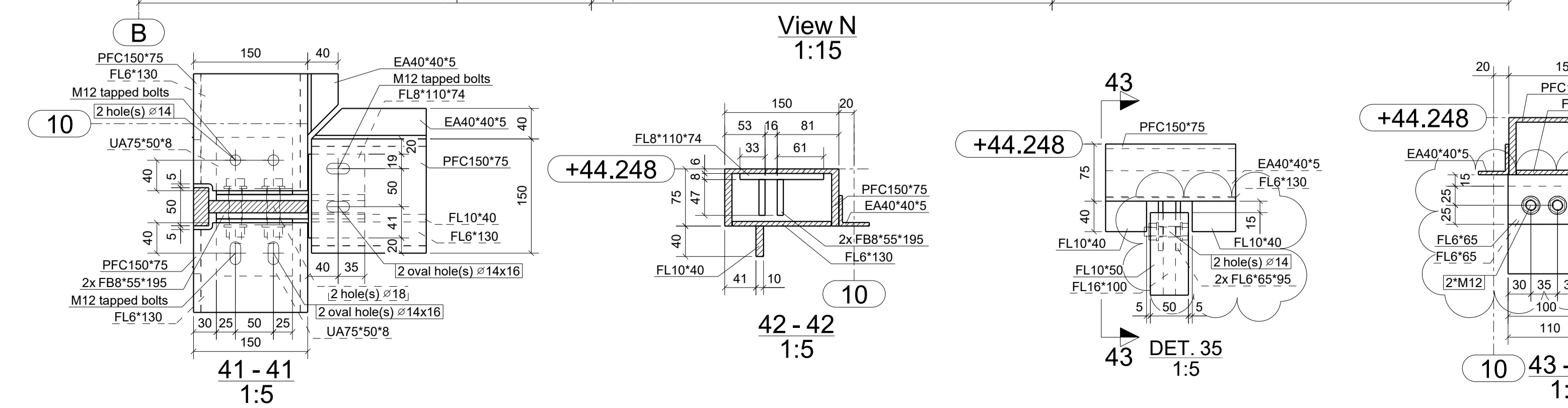
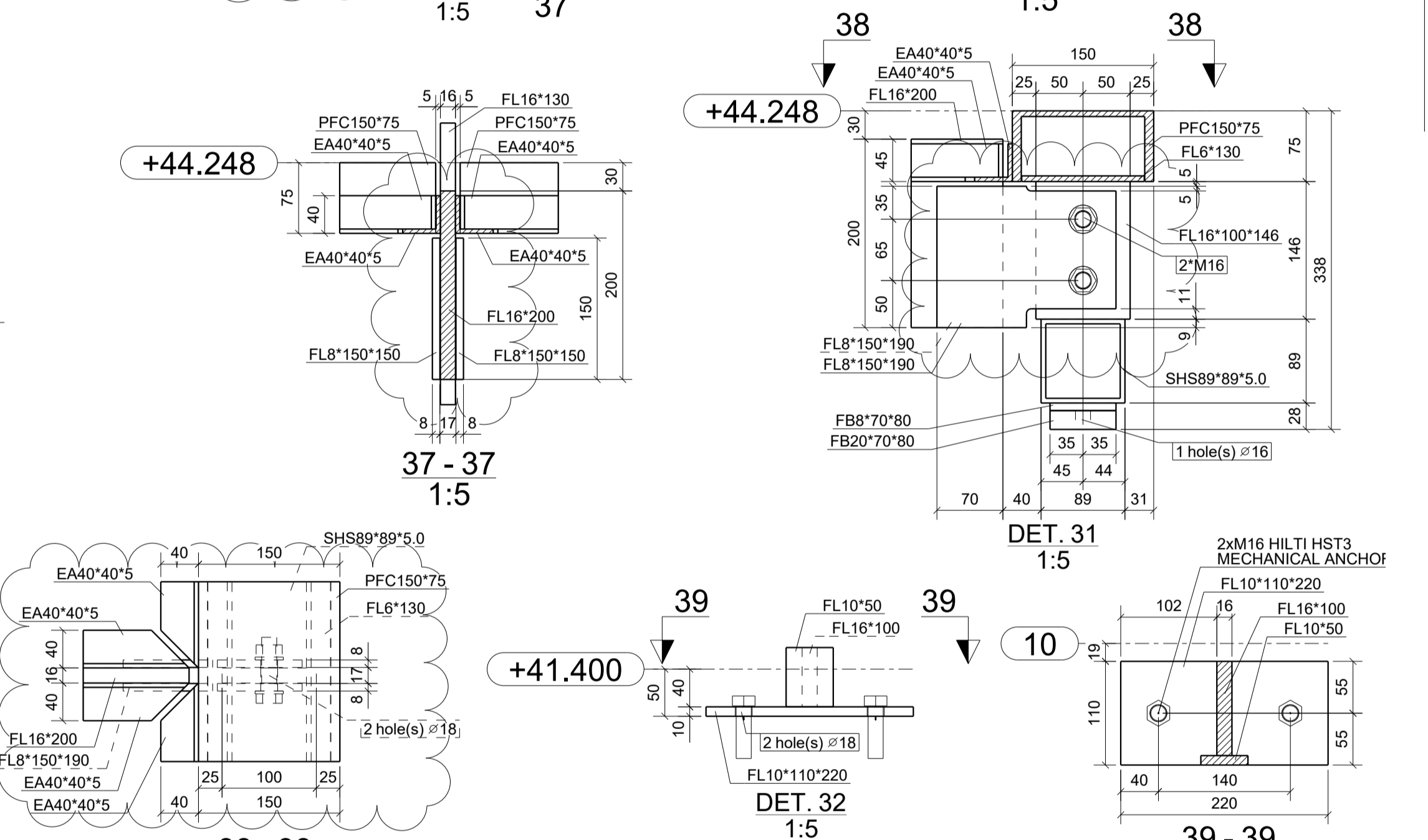
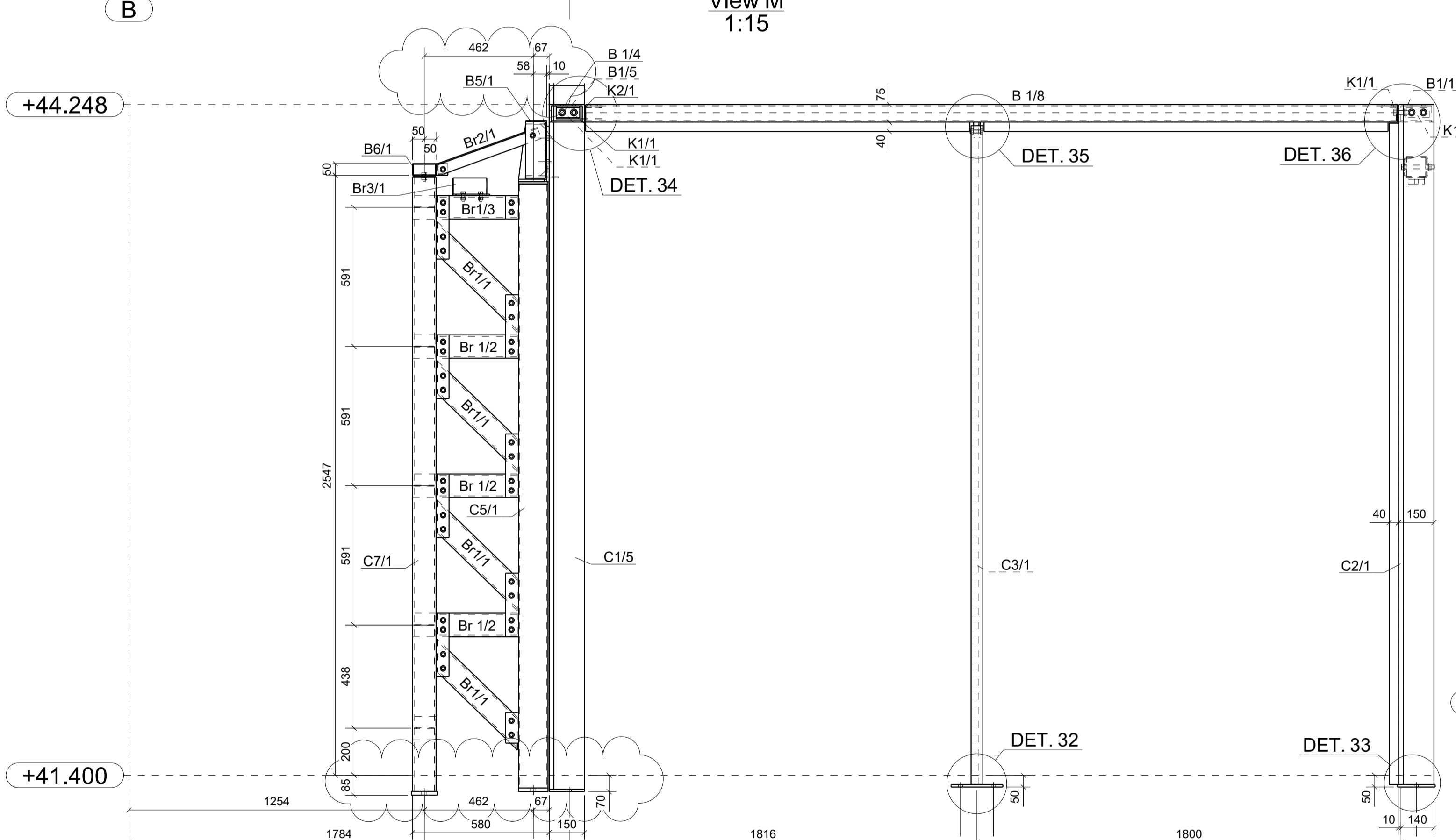
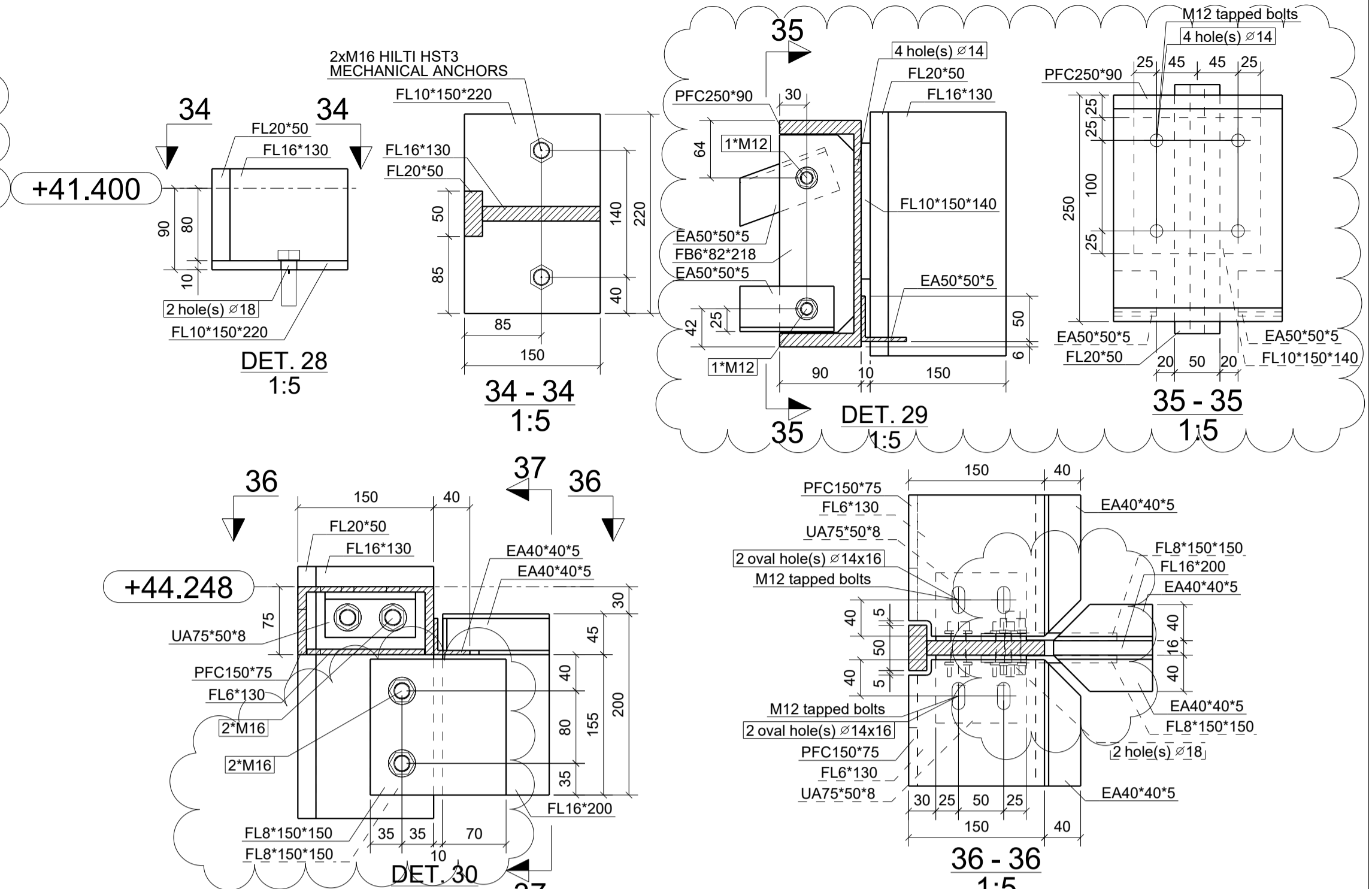
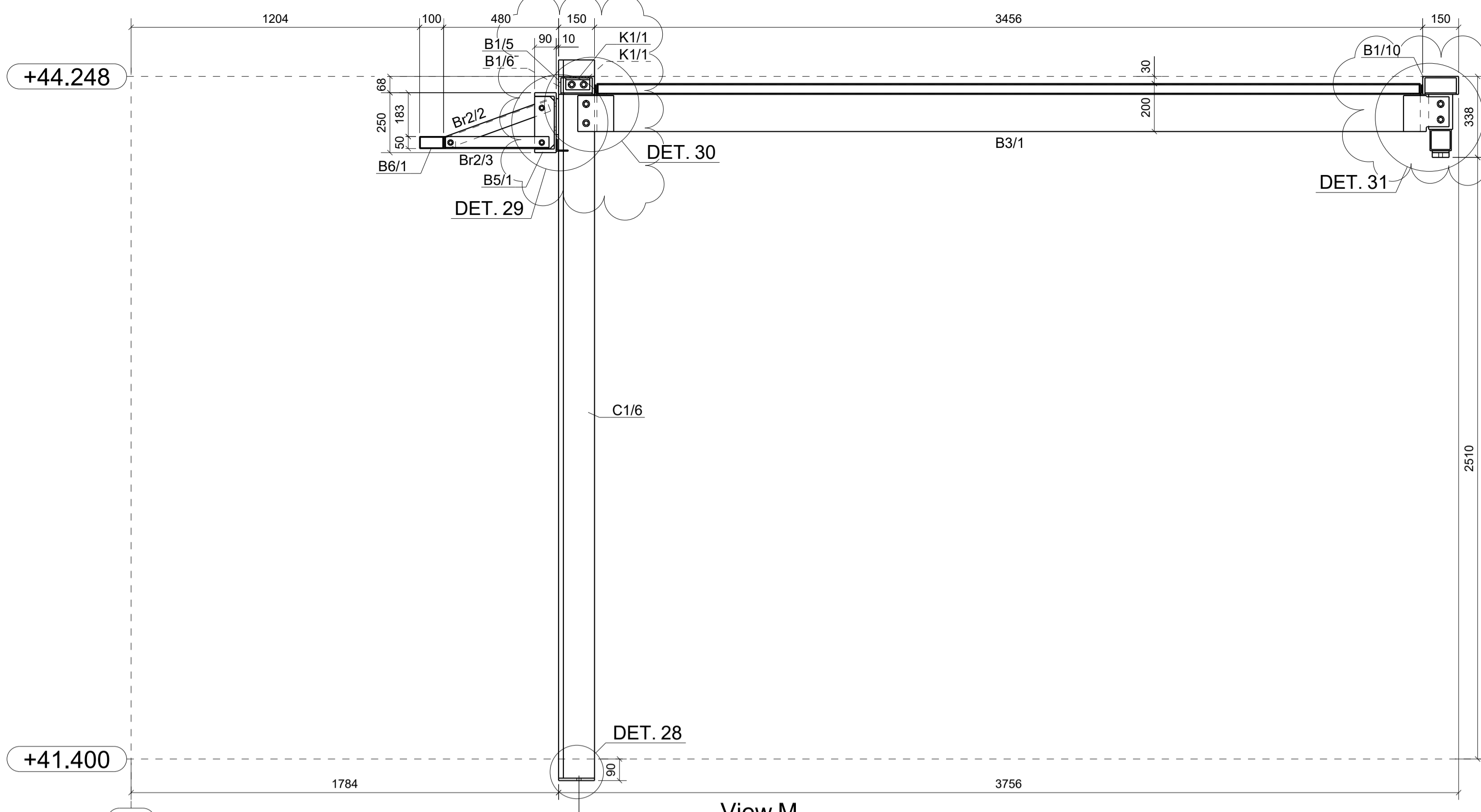
DET. 15
1:5



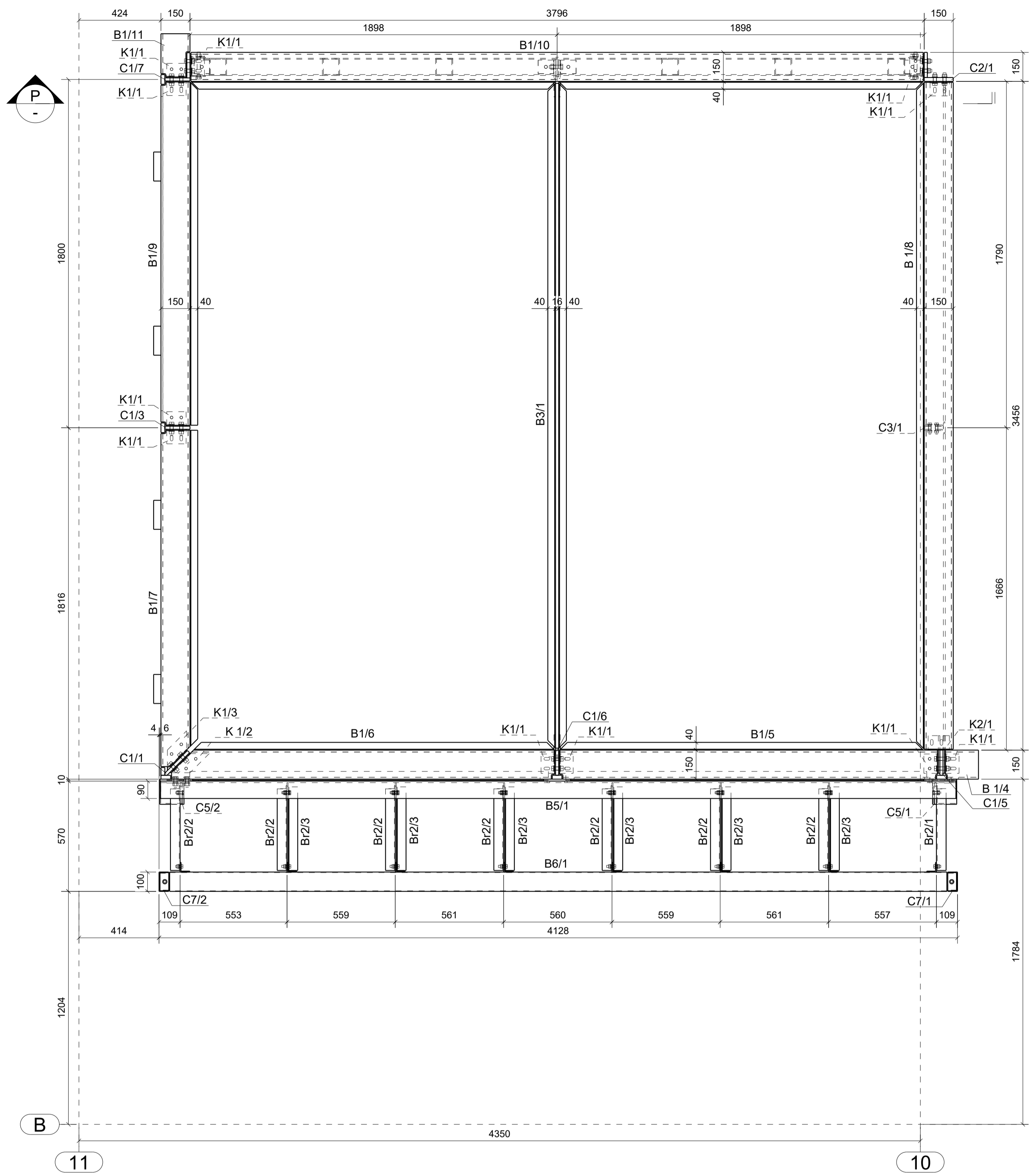
18 - 18
1:5



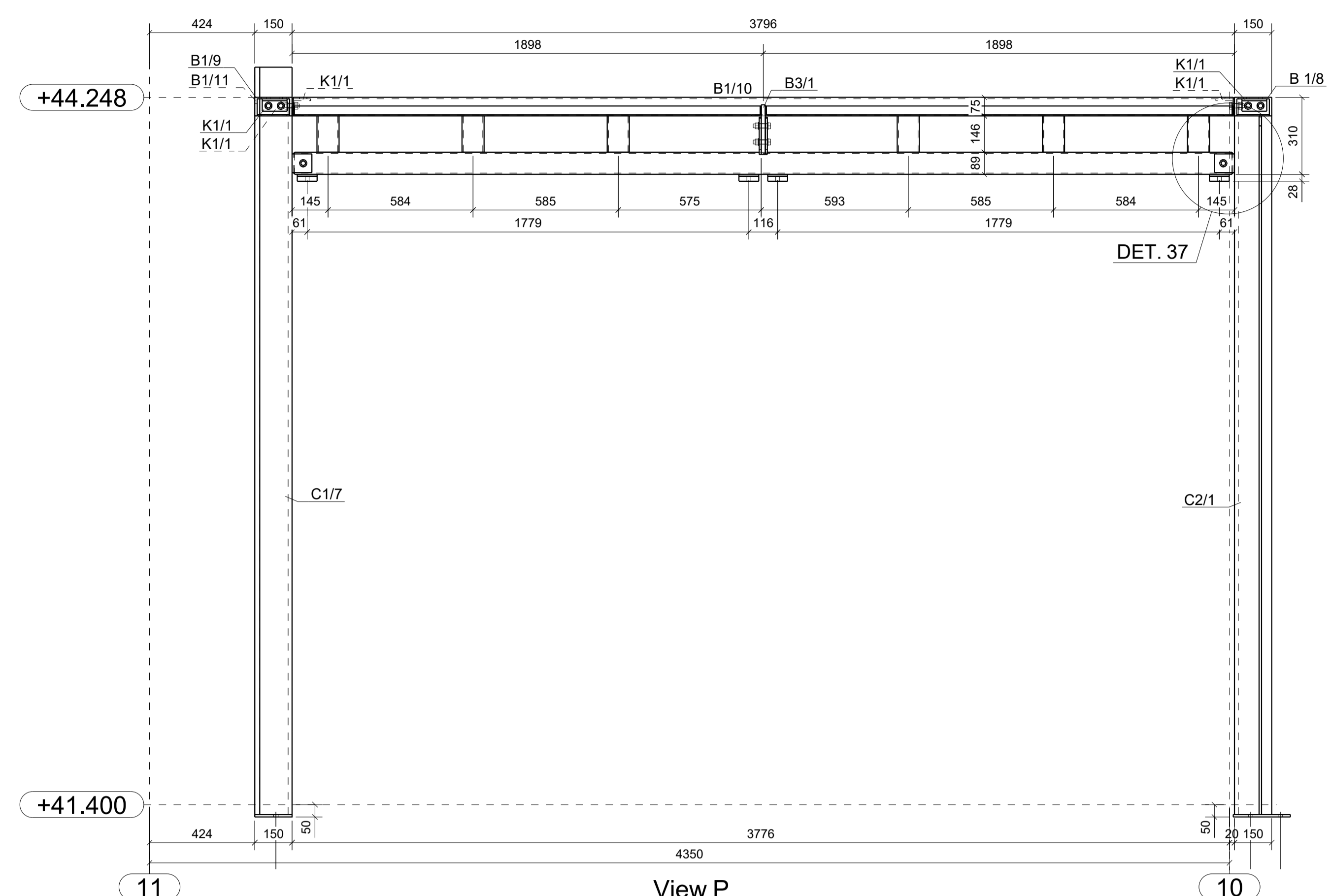




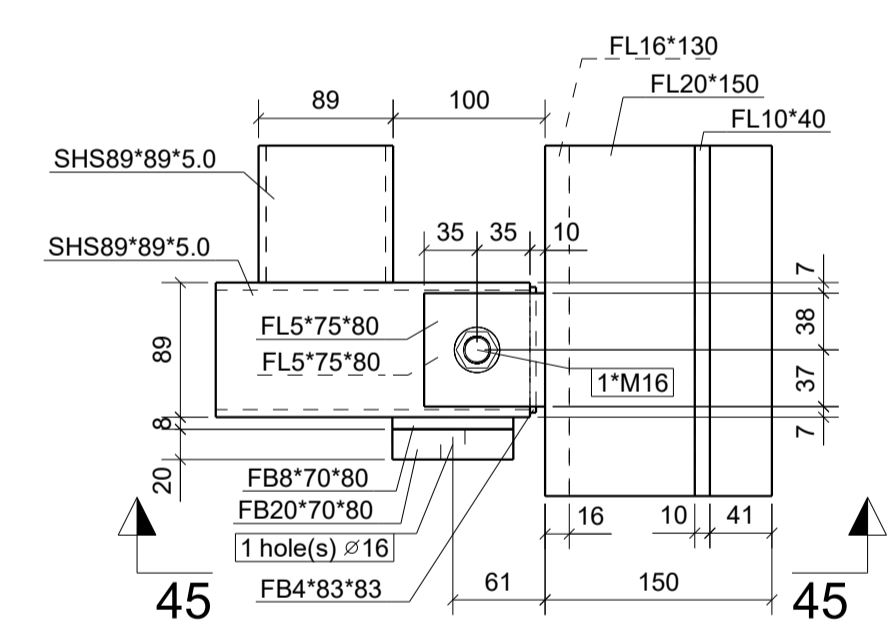
NOTES



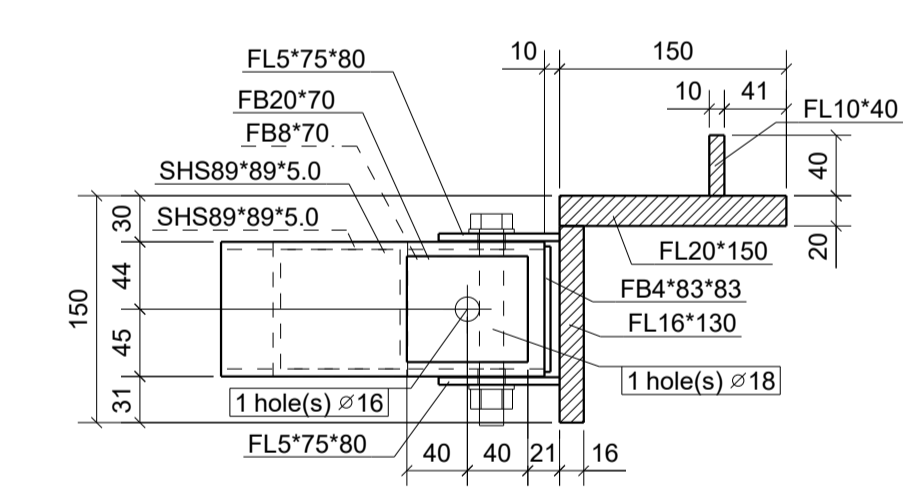
View O
1:15



View P
1:15



DET. 37
1:5



45 - 45
1:5

