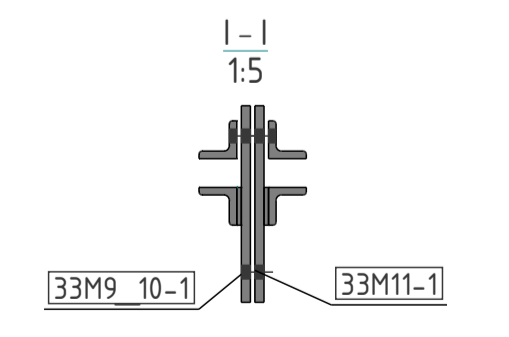
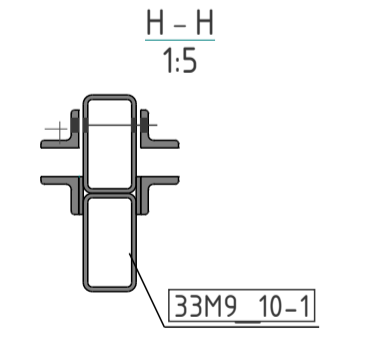
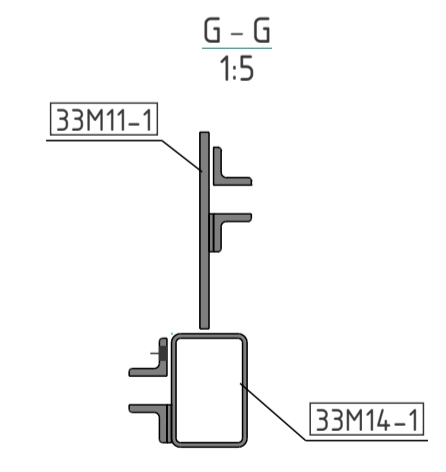
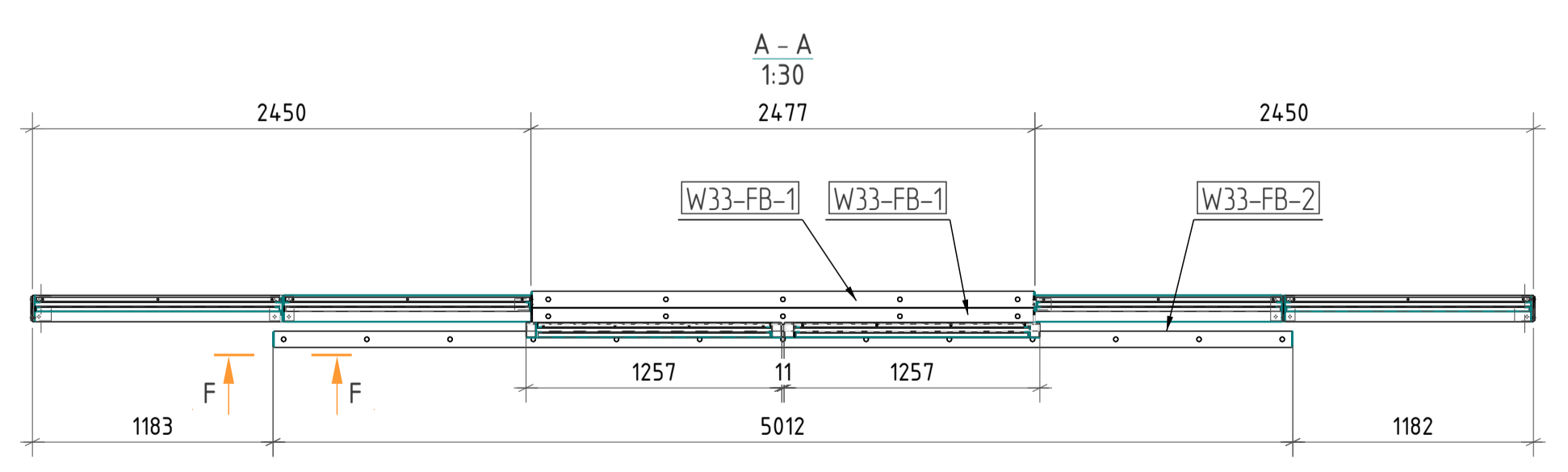
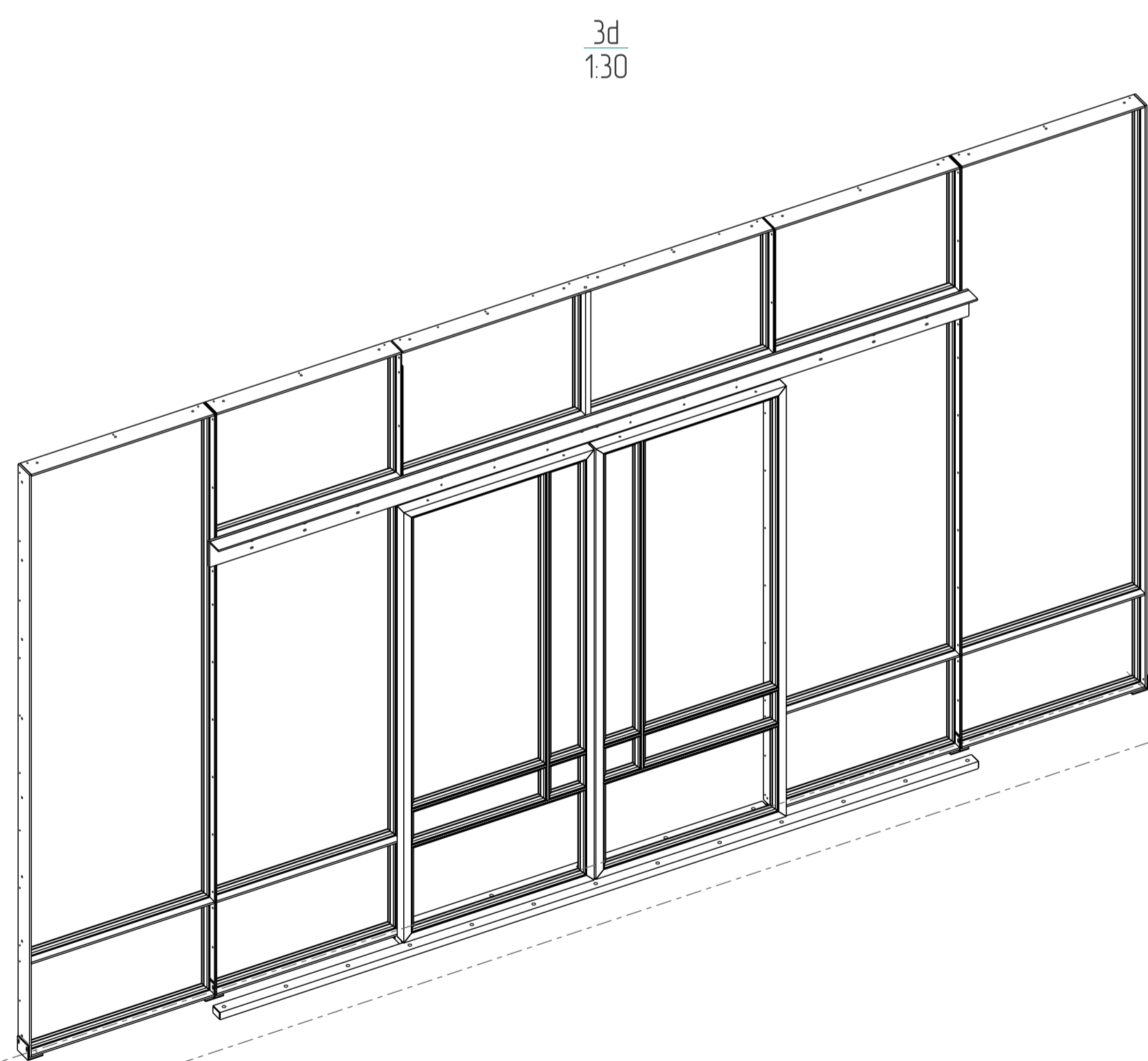
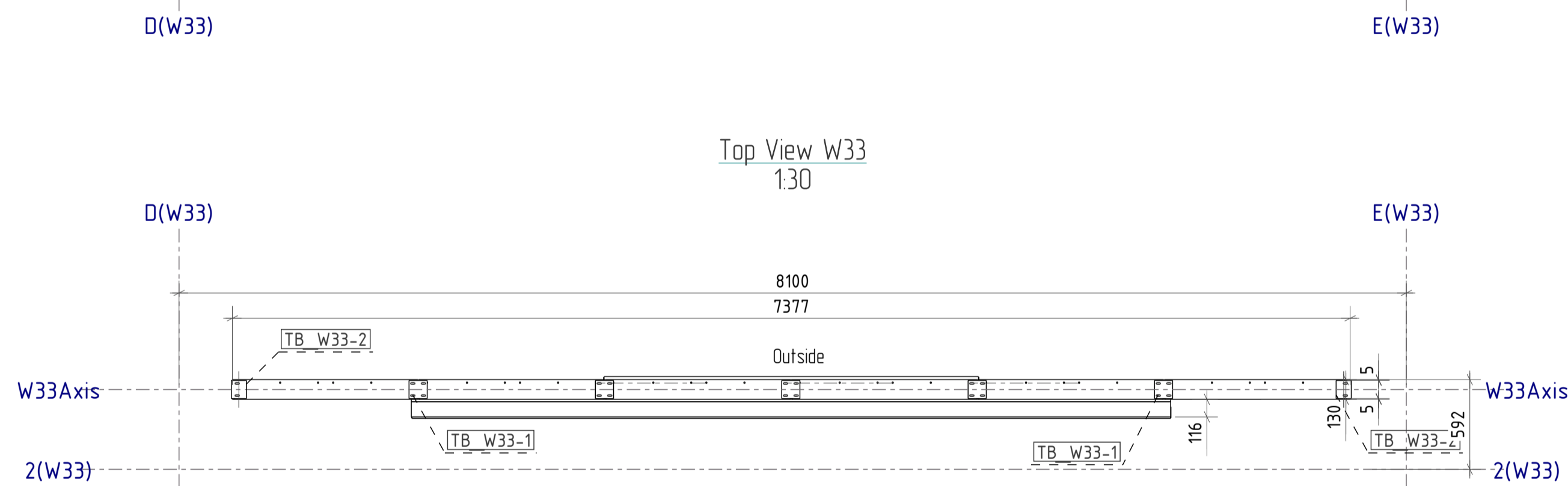
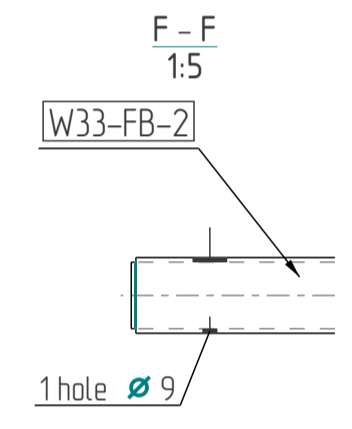


Issued for Construction

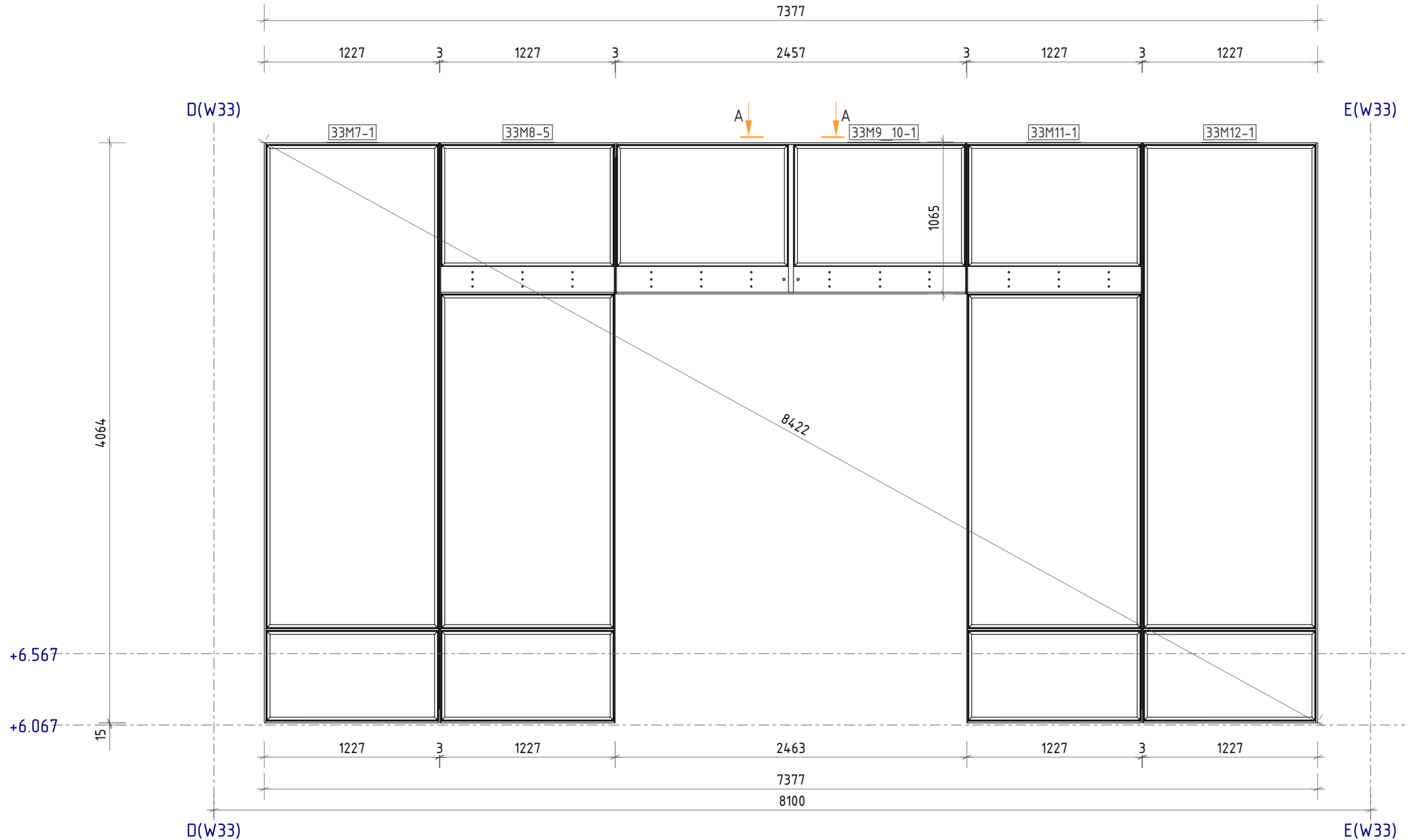
7/12/2022 6:06:04 PM



Assembly Name	Qty.	Name	N° drawing	Length	Weight, kg		Notes
					unit	total	
33M1-1	1	Outer Frame		1203	32.3	32.3	
33M1-2	1	Inner Frame		1227	103.6	103.6	
33M2-1	1	Inner Frame		1227	91.1	91.1	
33M2-2	1	Outer Frame		1209	32.3	32.3	
33M3-1	1	Inner Frame		1227	91.1	91.1	
33M3-2	1	Outer Frame		1209	32.3	32.3	
33M4-1	1	Inner Frame		1227	91.1	91.1	
33M4-2	1	Outer Frame		1209	32.3	32.3	
33M5-1	1	Inner Frame		1227	91.1	91.1	
33M5-2	1	Outer Frame		1209	32.3	32.3	
33M6-1	1	Outer Frame		1203	32.3	32.3	
33M6-2	1	Inner Frame		1227	104.2	104.2	
33M7-1	1	Inner Frame		1227	150.2	150.2	
33M7-2	1	Outer Frame		1203	6.5	6.5	
33M7-3	1	Outer Frame		1203	16.4	16.4	
33M8-1	1	Outer Frame		1209	6.5	6.5	
33M8-2	1	Outer Frame		1029	7.9	7.9	
33M8-3	1	Outer Frame		1209	12.5	12.5	
33M8-5	1	Inner Frame		1227	160.4	160.4	
33M9_10-1	1	Inner Frame		2457	130.7	130.7	
33M9_10-2	1	Outer Frame		1029	7.9	7.9	
33M9_10-3	1	Outer Frame		1199	7.9	7.9	
33M11-1	1	Inner Frame		1227	159.8	159.8	
33M11-2	1	Outer Frame		1209	7.9	7.9	
33M11-3	1	Outer Frame		1209	12.5	12.5	
33M11-4	1	Outer Frame		1209	6.5	6.5	
33M12-1	1	Inner Frame		1227	150.8	150.8	
33M12-2	1	Outer Frame		1203	6.5	6.5	
33M12-3	1	Outer Frame		1203	16.4	16.4	
33M13-1	1	Door		1257	122.4	122.4	
33M13-2	1	Outer Frame		244	8.1	8.1	
33M13-3	1	Outer Frame		889	10.5	10.5	
33M13-4	1	Outer Frame		889	4.0	4.0	
33M13-5	1	Outer Frame		1151	6.3	6.3	
33M13-6	1	Outer Frame		244	16	16	
33M14-1	1	Door		1257	122.4	122.4	
33M14-2	1	Outer Frame		889	10.5	10.5	
33M14-3	1	Outer Frame		244	8.1	8.1	
33M14-4	1	Outer Frame		889	4.0	4.0	
33M14-5	1	Outer Frame		244	16	16	
33M14-6	1	Outer Frame		1151	6.3	6.3	
TB_W33-1	7	T-bracket		120	12	8.4	
TB_W33-2	4	T-bracket		120	11	4.4	
W33-CA-1	1	Cover Angle		5012	154.1	154.1	
W33-FA-1	2	Fixing Angle		100	0.3	0.6	
W33-FB-1	2	Floor Beam		2477	14.7	29.4	
W33-FB-2	1	Floor Beam		5012	29.7	29.7	
Total weight:					2165.7		

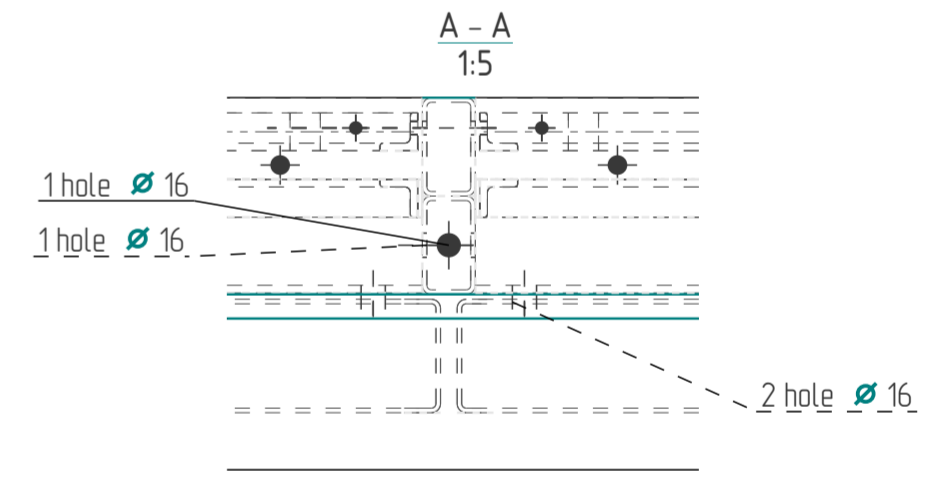
Assembly List							
Assembly Name	Qty.	Name	N° drawing	Length	Weight, kg		Notes
					unit	total	
33M7-1	1	Inner Frame		1227	150.2	150.2	
33M8-5	1	Inner Frame		1227	160.4	160.4	
33M9_10-1	1	Inner Frame		2457	130.7	130.7	
33M9_10-2	1	Outer Frame		1029	7.9	7.9	
33M9_10-3	1	Outer Frame		1199	7.9	7.9	
33M11-1	1	Inner Frame		1227	159.8	159.8	
33M12-1	1	Inner Frame		1227	150.8	150.8	
33M13-1	1	Door		1257	122.4	122.4	
33M14-1	1	Door		1257	122.4	122.4	
W33-CA-1	1	Cover Angle		5012	154.1	154.1	
				Total weight:	1166.6		

AXIS W33Axis
1:25

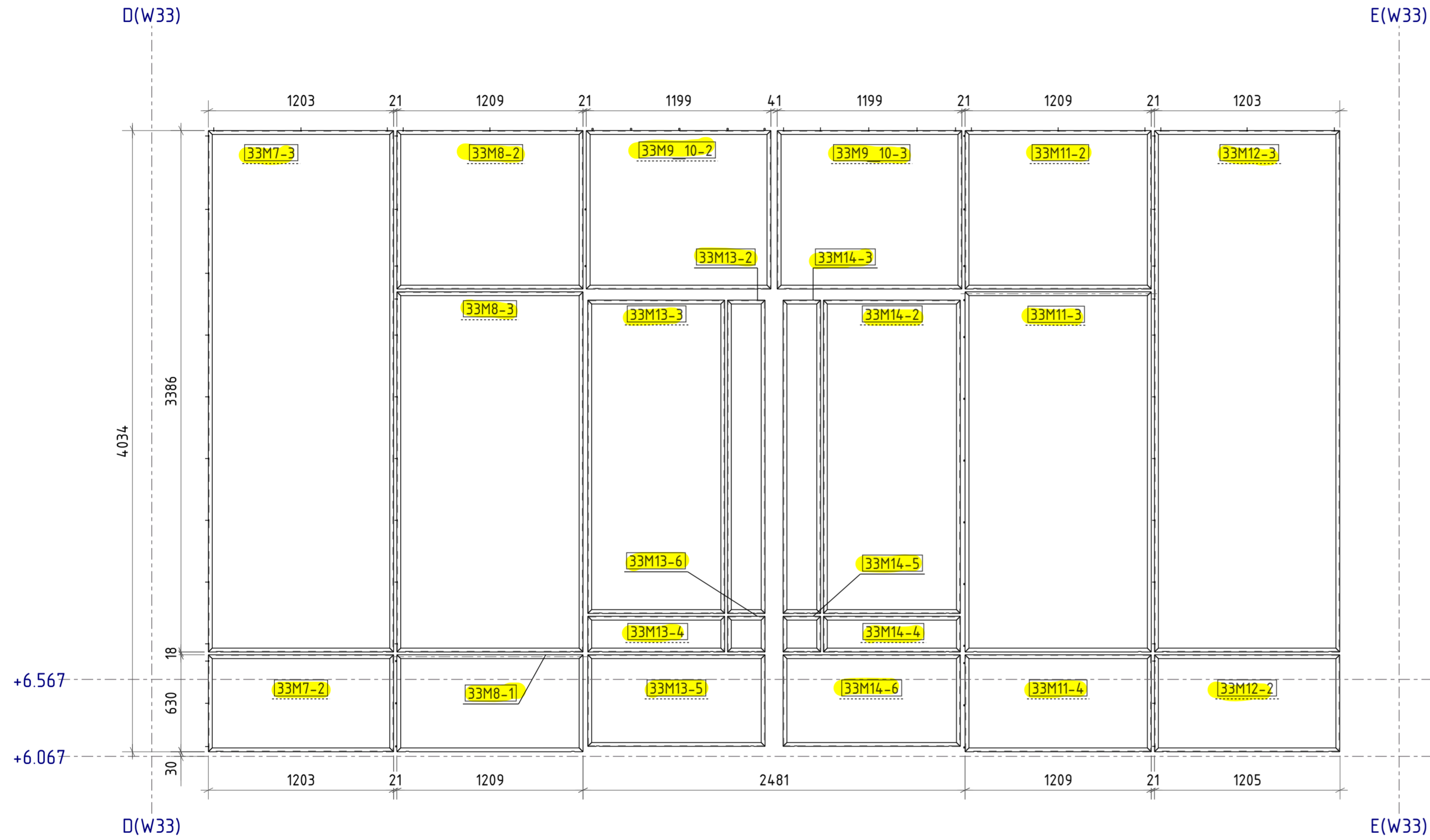


Issued for Construction

7/12/2022 6:06:09 PM



AXIS W33Axis
1:25



Assembly List							
Assembly Name	Qty.	Name	N° drawing	Length	Weight, kg		Notes
					unit	total	
33M7-2	1	Outer Frame		1203	6.5	6.5	
33M7-3	1	Outer Frame		1203	16.4	16.4	
33M8-1	1	Outer Frame		1209	6.5	6.5	
33M8-2	1	Outer Frame		1029	7.9	7.9	
33M8-3	1	Outer Frame		1209	12.5	12.5	
33M9_10-2	1	Outer Frame		1029	7.9	7.9	
33M9_10-3	1	Outer Frame		1199	7.9	7.9	
33M11-2	1	Outer Frame		1209	7.9	7.9	
33M11-3	1	Outer Frame		1209	12.5	12.5	
33M11-4	1	Outer Frame		1209	6.5	6.5	
33M12-2	1	Outer Frame		1203	6.5	6.5	
33M12-3	1	Outer Frame		1203	16.4	16.4	
33M13-2	1	Outer Frame		244	8.1	8.1	
33M13-3	1	Outer Frame		889	10.5	10.5	
33M13-4	1	Outer Frame		889	4.0	4.0	
33M13-5	1	Outer Frame		1151	6.3	6.3	
33M13-6	1	Outer Frame		244	16	16	
33M14-2	1	Outer Frame		889	10.5	10.5	
33M14-3	1	Outer Frame		244	8.1	8.1	
33M14-4	1	Outer Frame		889	4.0	4.0	
33M14-5	1	Outer Frame		244	16	16	
33M14-6	1	Outer Frame		1151	6.3	6.3	
Total weight:					176.4		

**Issued for
Construction**

7/12/2022 6:06:12 PM